

DOT MATRIX PRINTER

SP500 SERIES

***USER'S MANUAL
MODE D'EMPLOI
BEDIENUNGSANLEITUNG
MANUALE DI ISTRUZIONI***

stair 

**Federal Communications Commission
Radio Frequency Interference
Statement**

This equipment has been tested and found to comply with the limits for a Class A digital device, pursuant to Part 15 of the FCC Rules. These limits are designed to provide reasonable protection against harmful interference when the equipment is operated in a commercial environment. This equipment generates, uses and can radiate radio frequency energy and, if not installed and used in accordance with the instruction manual, may cause harmful interference to radio communications. Operation of this equipment in a residential area is likely to cause harmful interference in which case the user will be required to correct the interference at his own expense.

For compliance with the Federal Noise Interference Standard, this equipment requires a shielded cable.

This statement will be applied only for the printers marketed in U.S.A.

**Statement of
The Canadian Department of Communications
Radio Interference Regulations**

This digital apparatus does not exceed the Class A limits for radio noise emissions from digital apparatus set out in the Radio Interference Regulations of the Canadian Department of Communications.

Le présent appareil numérique n'émet pas de bruits radioélectriques dépassant les limites applicables aux appareils numériques de la classe A prescrites dans le Règlement sur le brouillage radioélectrique édicté par le ministère des Communications du Canada.

The above statement applies only to printers marketed in Canada.

**CE
Manufacturer's Declaration of Conformity**

EC Council Directive 89/336/EEC of 3 May 1989

This product, has been designed and manufactured in accordance with the International Standards EN 50081-1/01.92 and EN 50082-1/01.92, following the provisions of the Electro Magnetic Compatibility Directive of the European Communities as of May 1989.

EC Council Directive 73/23/EEC and 93/68/EEC of 22 July 1993

This product, has been designed and manufactured in accordance with the International Standards EN 60950, following the provisions of the Low Voltage Directive of the European Communities as of July 1993.

The above statement applies only to printers marketed in EU.

Trademark acknowledgments

SP500 Series: Star Micronics Co., Ltd.

ESC/POS: Seiko Epson Corporation

Notice

- All rights reserved. Reproduction of any part of this manual in any form whatsoever, without STAR's express permission is forbidden.
- The contents of this manual are subject to change without notice.
- All efforts have been made to ensure the accuracy of the contents of this manual at the time of going to press. However, should any errors be detected, STAR would greatly appreciate being informed of them.
- The above notwithstanding, STAR can assume no responsibility for any errors in this manual.

TABLE OF CONTENTS

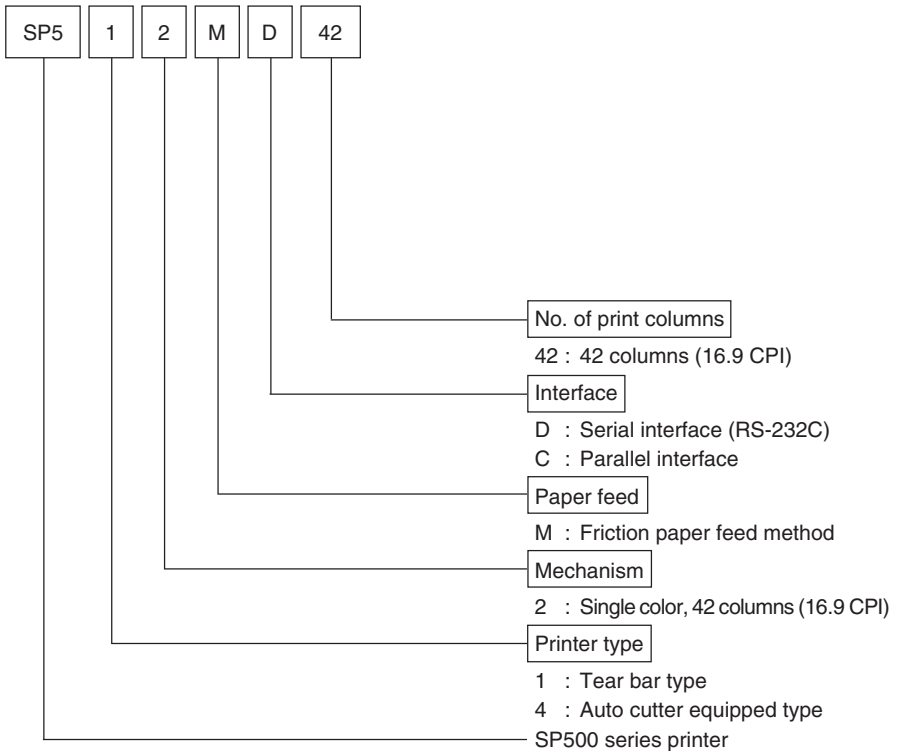
1. Outline	1
2. Unpacking and Installation	2
2-1. Unpacking	2
2-2. Locating the Printer	3
2-3. Handling Care	3
2-4. Maintenance	3
3. Parts Identification and Nomenclature	4
4. Connecting Cables and Power Cord	6
4-1. Connecting the Interface Cable	6
4-2. Connecting to a Peripheral Unit	7
4-3. Connecting the Power Cord	8
4-4. Turning Power On	9
4-5. Attaching the Rear Cover	9
4-6. Installing the cable	10
4-7. Switch Blind Installation	11
5. Loading the Ribbon Cartridge and Paper	12
5-1. Tear Bar Model	12
5-2. Auto Cutter Model	15
5-3. Installing the Roll Paper Guide	18
6. Control Panel and Other Functions	19
6-1. Control Panel	19
6-2. Basic Indicators	19
6-3. Errors	20
6-4. Adjustment Mode	22
Appendix A: General Specifications	104
Power Supply Specifications	106
Appendix B: Serial Interface	107
B-1. Pins and Signal Names	107
B-2. Interface Connections	108
Appendix C: Parallel Interface	109
C-1. Table of Connection Signals for Each Mode	109
D-1. Parallel Interface	111
Appendix D: DIP Switch Setting	111
D-2. Serial Interface	112
Appendix E: Memory Switch Settings	114
Appendix F: Peripheral Unit Driver Circuit	115
Appendix G: Adjusting the Dot Alignment Mode	117
Appendix H: Black Mark Sensor Alignment Mode	119

1. Outline

The SP500 Series Serial Impact Dot Matrix Printer is designed for use with electronic instruments such as POS, banking equipment, computer peripheral equipment, etc.

The major features of the SP500 series are as follows:

1. Bi-directional printing at approx. 4 lines/sec.
2. Serial interface or parallel interface.
3. The data buffer allows the unit to receive print data even during printing.
4. Peripheral unit drive circuit enables control of external devices such as cash drawers.

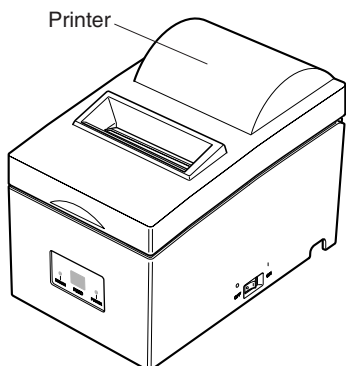


2. Unpacking and Installation

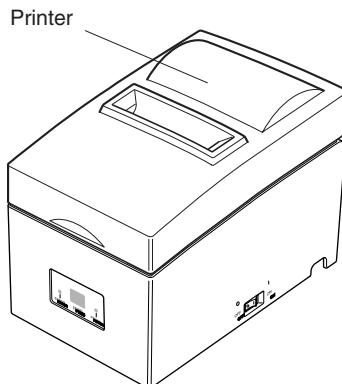
2-1. Unpacking

After unpacking the unit, check that all the necessary accessories are included in the package.

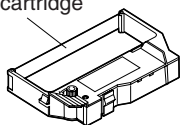
Tear bar model



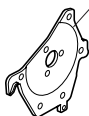
Auto cutter model



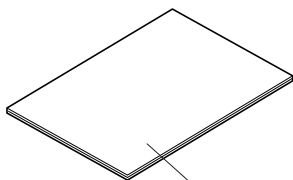
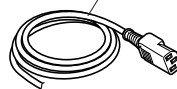
Ribbon cartridge



Roll paper guide



Power cord



User's manual

Rear cover



Switch blind



Fig. 2-1 Unpacking

If anything is missing, contact the dealer where you bought the printer and ask them to supply the missing part. Note that it is a good idea to keep the original box and all the packing materials just in case you need to pack the printer up again and send it somewhere at a later date.

2-2. Locating the Printer

When you locate your printer, keep the following tips in mind:

1. Protect your printer from excessive heat such as direct sunlight or heaters, and keep it away from moisture and dust.
2. Place the printer on a firm, level surface which is fairly vibration-free.
3. A steady power supply that is not subject to power surges should be connected to the printer.
For example, do not connect it to the same circuit as a large, noise-producing appliance such as a refrigerator or an air conditioner.
4. Make sure the line voltage is the voltage specified on the printer's identification plate.
5. To disconnect the printer, the plug has to be disconnected from the wall socket, which has to be located close to the printer, and easy to access.

2-3. Handling Care

1. Be careful not to drop paper clips, pins or other foreign matter into the unit as these cause the printer to malfunction.
2. Do not attempt to print when either paper or ribbon cartridge is not located in the printer, otherwise the print head can be damaged.
3. Do not open the cover while printing.
4. Do not touch the print head immediately after printing as it gets very hot.
5. Use only roll paper that is not glued to the core.
6. When the paper end mark appears on the paper, replace the roll paper before it runs out.

2-4. Maintenance

Essentially, your printer is a robust piece of equipment, but should be treated with a modicum of care in order to avoid malfunctions. For example:

1. Keep your printer in a "comfortable" environment. Roughly speaking, if you feel comfortable, then the environment is suitable for your printer.
2. Do not subject the printer to physical shocks or excessive vibration.
3. Avoid over-dusty environments. Dust is the enemy of all precision mechanical devices.
4. To clean the exterior of the printer, use a cloth barely dampened with either water with a little detergent or a little alcohol, but do not allow any liquid to fall inside the printer.
5. The interior of the printer may be cleaned with a small cleaner or a compressed-air aerosol (sold for this purpose). When performing this operation, be sure not to bend or damage any cable connections or electronic components.

3. Parts Identification and Nomenclature

Tear bar model

Cover

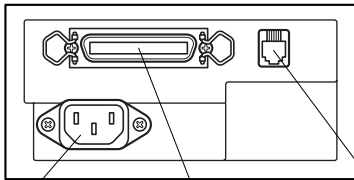
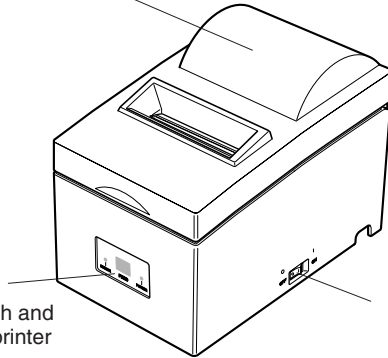
Protects the printer from dust and reduces noise.
Do not open the cover while printing.

Control panel

Features one control switch and two indicators to indicate printer status.

Power switch

Turns printer power on and off.



Power connector

For connection of the power cord.

Interface connector

Connects the printer with host computer.

Peripheral unit drive circuit connector

Connects to peripheral units such as cash drawers, etc.
Do not connect this to a telephone.

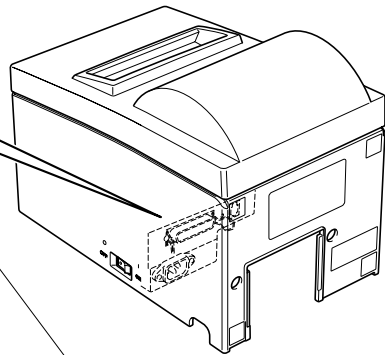


Fig. 3-1 External view of the printer (Tear bar model)

Auto cutter model

Cover

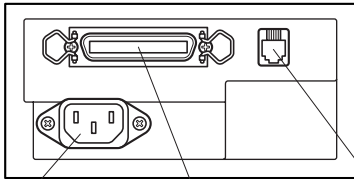
Protects the printer from dust and reduces noise.
Do not open the cover while printing.

Control panel

Features one control switch and two indicators to indicate printer status.

Power switch

Turns printer power on and off.



Power connector

For connection of the power cord.

Interface connector

Connects the printer with host computer.

Peripheral unit drive circuit connector

Connects to peripheral units such as cash drawers, etc.
Do not connect this to a telephone.

Fig. 3-2 External view of the printer (Auto cutter model)

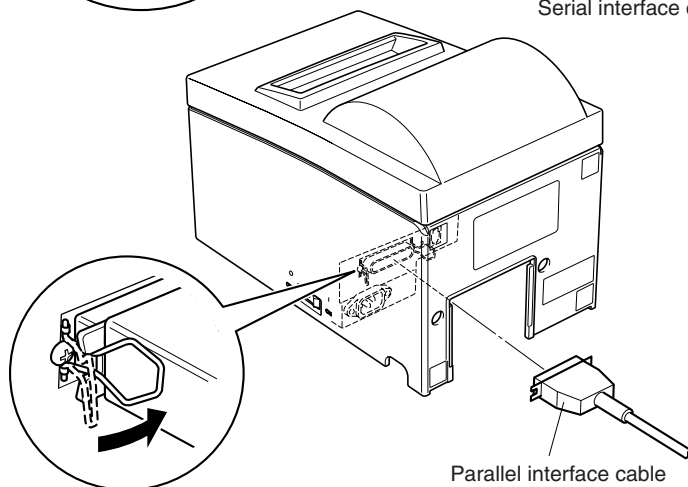
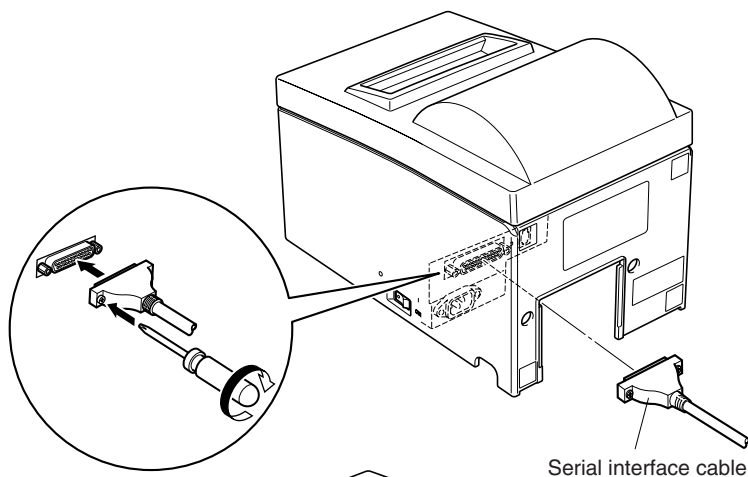
4. Connecting Cables and Power Cord

4-1. Connecting the Interface Cable

Note: Before connecting/disconnecting the interface cable, make sure that power to the printer and all the devices connected to the printer is turned off.

Also make sure the power cable plug is disconnected from the AC outlet.

- (1) Connect the interface cable to the connector on the rear panel of the printer.
- (2) In the case of a serial interface, tighten the connector screws. In the case of a parallel interface, fasten the connector clasps.



4-2. Connecting to a Peripheral Unit

You can connect a peripheral unit to the printer using a modular plug. The following describes how to install the ferrite core and make the actual connection. See “Modular plug” on page 115 for details about the type of modular plug that is required. Note that this printer does not come with a modular plug or wire, so it is up to you to obtain one that suits your needs.

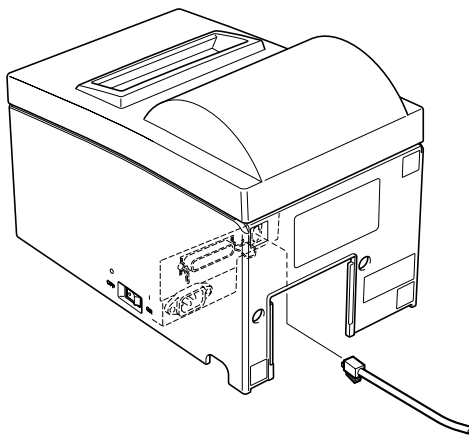
Important!

Make sure that the printer is turned off and unplugged from the AC outlet and that the computer is turned off before making connections.

(1) Connect the peripheral drive cable to the connector on the rear panel of the printer.

Important!

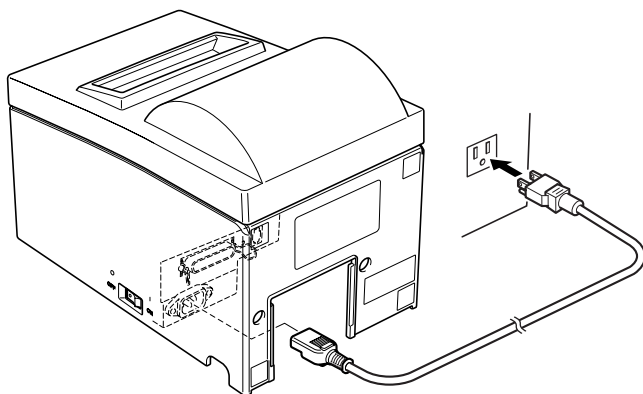
Do not connect a telephone line into the peripheral drive connector. Failure to observe this may result in damage to the printer. Also, for safety purposes, do not connect wiring to the external drive connector if there is a chance it may carry peripheral voltage.



4-3. Connecting the Power Cord

Note: Before connecting/disconnecting the power cord, make sure that power to the printer and all the devices connected to the printer is turned off. Also make sure the power cable plug is disconnected from the AC outlet.

- (1) Check the label on the back or bottom of the printer to make sure its voltage matches that of the AC outlet. Also make sure the plug on the power cord matches the AC outlet.
- (2) If the power cord is not attached to the printer, plug the appropriate end into the AC inlet on the back of the printer.
- (3) Plug the power cord into a properly grounded AC outlet.



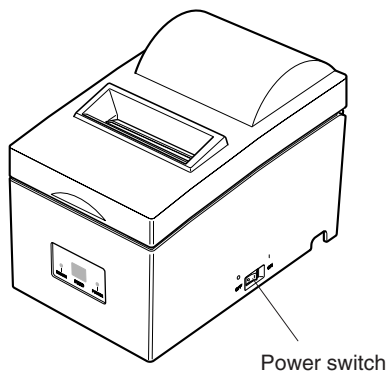
Important!

If the voltage shown on the label on the of your printer does not match the voltage for your area, contact your dealer immediately.

4-4. Turning Power On

Make sure that the power cord has been connected as described in 4-3.

- (1) Set the power switch located on the right side of the printer to on. The POWER lamp on the control panel will light up.

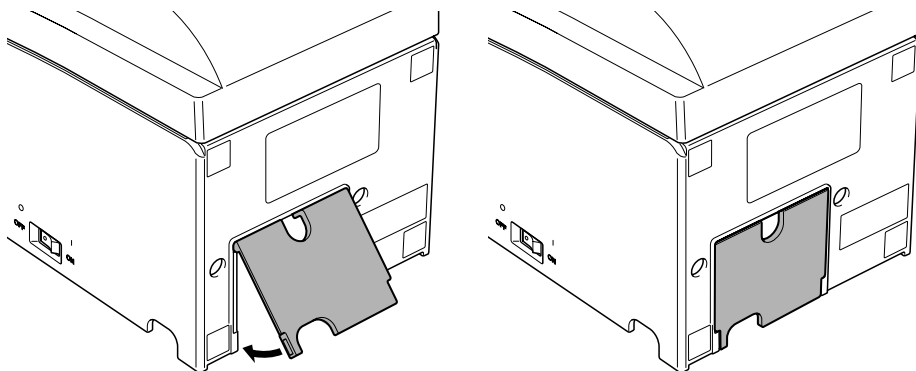


Important!

We recommend that you unplug the printer from the power outlet whenever you do not plan to use it for long periods. Because of this, you should locate the printer so that the power outlet it is plugged into is nearby and easy to access.

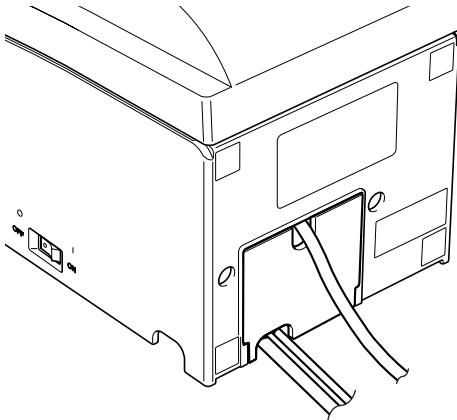
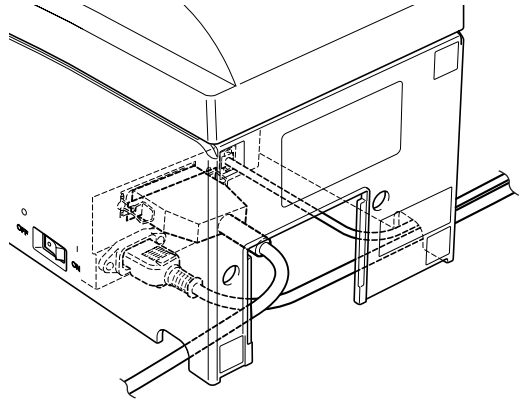
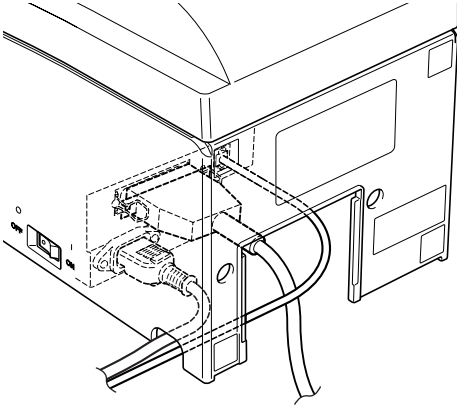
4-5. Attaching the Rear Cover

Attach the rear cover if necessary.



4-6. Installing the cable

Install the cable as shown in the diagram below.

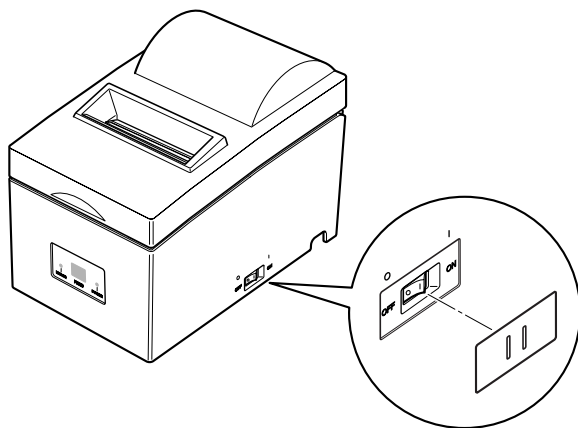


4-7. Switch Blind Installation

It is not necessary to install the switch blind. Only install it if it is necessary for you. By installing the switch blind, the following become possible.

- Preventing the power switch from being operated by mistake.
- Ensuring that other people can not easily operate the power switch.

Install the switch blind as shown in the diagram below.



The power switch can be turned ON (I) and OFF (O) by inserting a narrow instrument (ball pen etc) in the holes in the switch blind.

Important!

We recommend that you unplug the printer from the power outlet whenever you do not plan to use it for long periods. Because of this, you should locate the printer so that the power outlet it is plugged into is nearby and easy to access.

5. Loading the Ribbon Cartridge and Paper

5-1. Tear Bar Model

5-1-1. Loading the Ribbon Cartridge

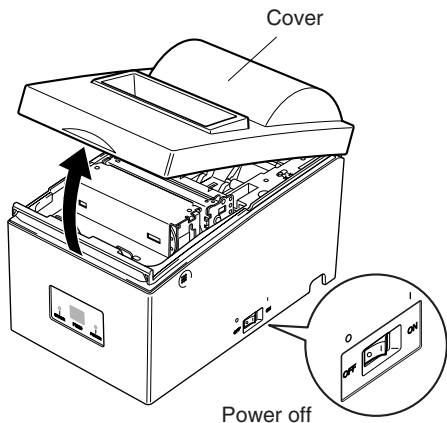


Fig. 5-1 Opening the cover

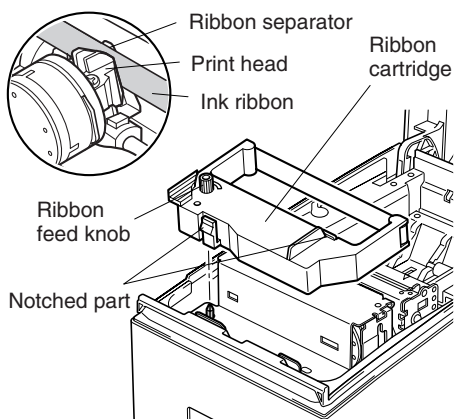


Fig. 5-2 Loading the ribbon cartridge

- ① Turn off power to the printer.
- ② Open the cover.

Important!

1. Do not touch the print head immediately after printing as it can be extremely hot.
2. Do not touch the cutter blade.
 - There is a cutter inside the paper outlet slot. Not only should you not put your hand in the paper outlet slot while printing is in progress, never put your hand into the outlet even when printing is not in progress.

- ③ Place the ribbon cartridge in the direction shown in Fig. 5-2 and press it down to load it. If loading of the ribbon cartridge is not satisfactory, press down the cartridge while rotating the ribbon feed knob in the direction of the arrow.
- ④ Turn the ribbon feed knob of the ribbon cartridge in the direction of the arrow to remove slack in the ribbon.
- ⑤ Close the cover .

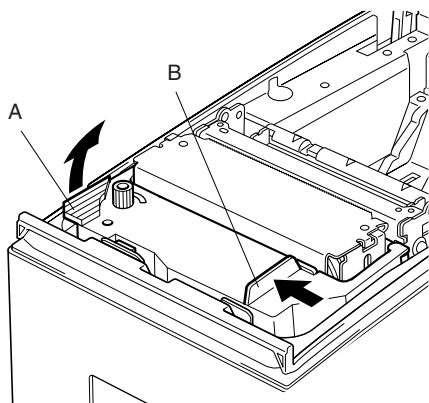


Fig. 5-3 Removing the ribbon cartridge

5-1-2. Loading the paper

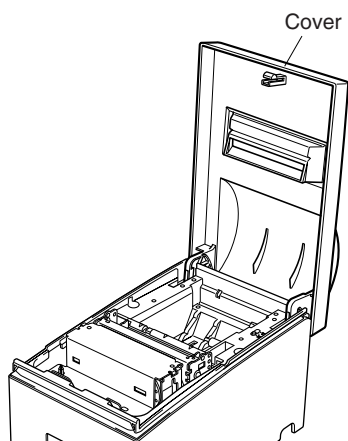


Fig. 5-4 Removing the cover

Note: When removing the ribbon cartridge, raise the A section and then remove it by holding the B section as shown in Fig. 5-3.

- ① Open the cover.

Important!

1. Do not touch the print head immediately after printing as it can be extremely hot.
2. Do not touch the cutter blade.
 - There is a cutter inside the paper outlet slot. Not only should you not put your hand in the paper outlet slot while printing is in progress, never put your hand into the outlet even when printing is not in progress.

- ② Cut off the front edge of the roll paper perpendicularly.
- ③ Confirm that the power of the printer is turned on.

- ④ While observing the direction of the roll, set the paper roll into the hollow as shown in Fig. 5-5.

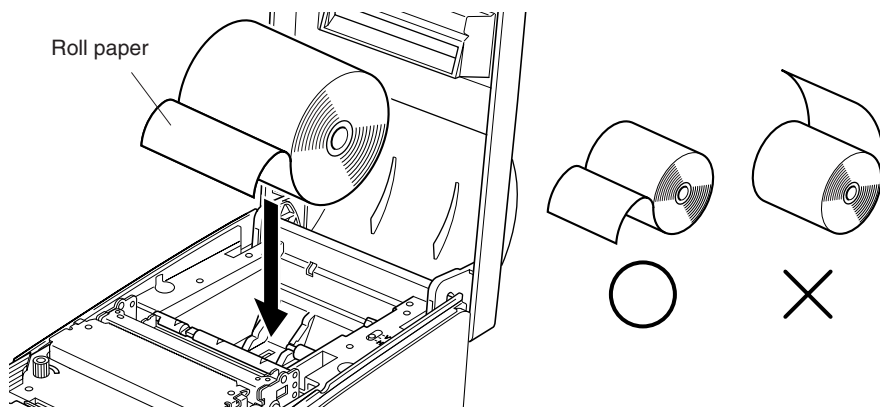


Fig. 5-5 Setting the paper

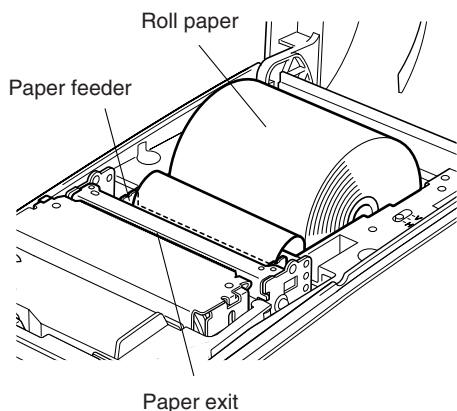


Fig. 5-6 Loading the paper

- ⑤ Insert the edge of the paper into the paper feeder (black plastic part). If inserted correctly, the edge of the paper will pass through the paper exit.
- ⑥ Insert the top edge of the paper into the tear bar slot, then mount the cover by reversing the procedure for opening the cover in step ① above.

Note: When the paper end mark appears on the paper, replace the roll paper before it runs out.

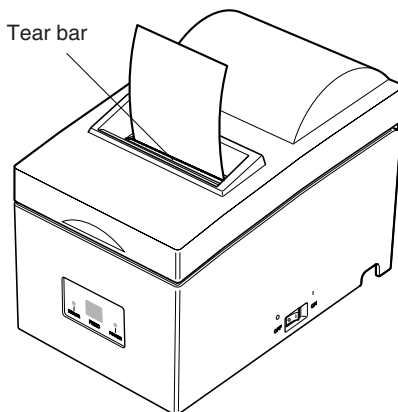


Fig. 5-7

5-2. Auto Cutter Model

5-2-1. Loading the Ribbon Cartridge

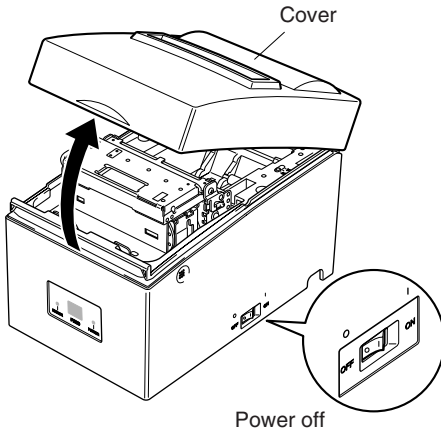


Fig. 5-8 Opening the cover

- ① Turn off power to the printer.
- ② Open the cover.

Important!

1. Do not touch the print head immediately after printing as it can be extremely hot.
2. Do not touch the cutter blade.
 - There is a cutter inside the paper outlet slot. Not only should you not put your hand in the paper outlet slot while printing is in progress, never put your hand into the outlet even when printing is not in progress.

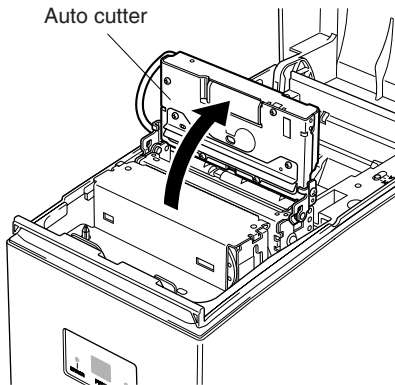
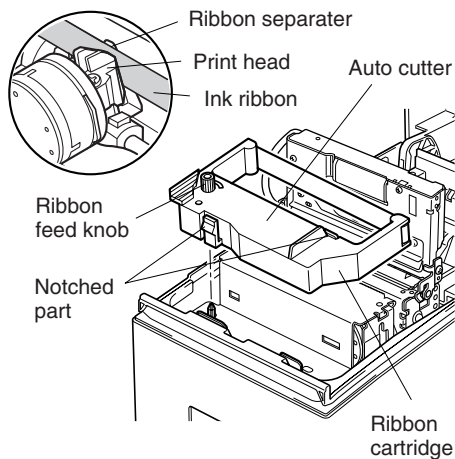


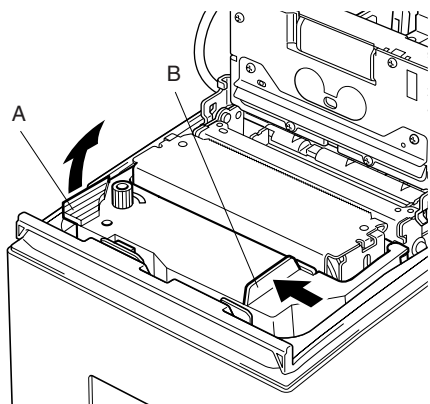
Fig. 5-9 Raise the auto cutter

- ③ Lift up the auto cutter and put it in a vertical position, as shown in Fig. 5-9.



- ④ Place the ribbon cartridge in the direction shown in Fig. 5-10 and press it down to load it. If loading of the ribbon cartridge is not satisfactory, press down the cartridge while rotating the ribbon feed knob in the direction of the arrow.
- ⑤ Turn the ribbon feed knob of the ribbon cartridge in the direction of the arrow to remove slack in the ribbon.
- ⑥ Close the Auto Cutter.
- ⑦ Close the cover.

Fig. 5-10 Loading the ribbon cartridge



Note: When removing the ribbon cartridge, raise the A section and then remove it by holding the B section as shown in Fig. 5-11.

Fig. 5-11 Removing the ribbon cartridge

5-2-2. Loading the Paper

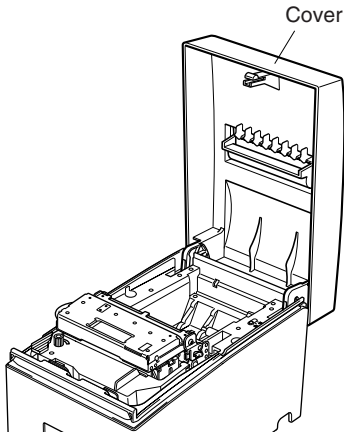


Fig. 5-12 Removing the cover

- ① Open the cover.

Important!

1. Do not touch the print head immediately after printing as it can be extremely hot.
2. Do not touch the cutter blade.
 - There is a cutter inside the paper outlet slot. Not only should you not put your hand in the paper outlet slot while printing is in progress, never put your hand into the outlet even when printing is not in progress.

- ② Cut off the front edge of the roll paper perpendicularly.
- ③ Confirm that the power of the printer is turned on.
- ④ While observing the direction of the roll, set the paper roll into the hollow as shown in Fig. 5-13.

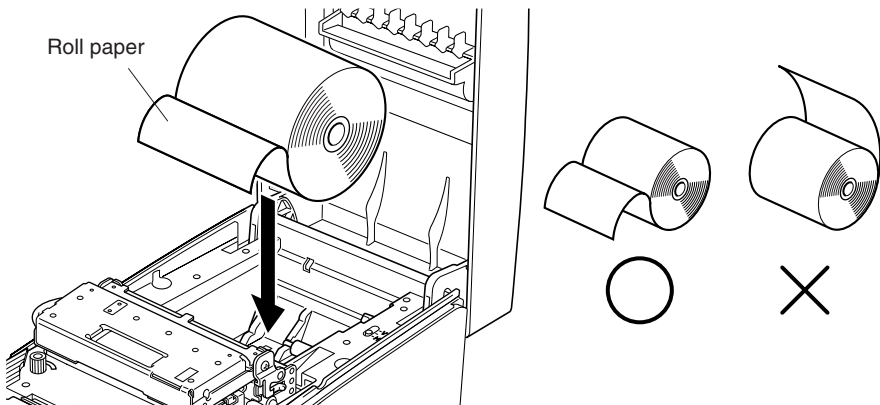


Fig. 5-13 Setting the paper

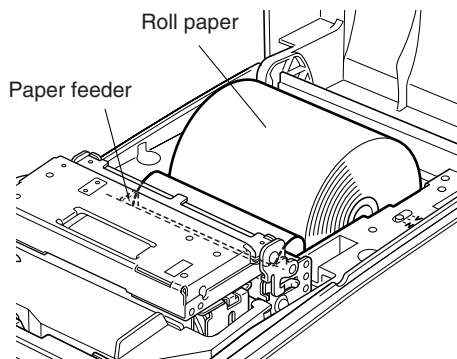


Fig. 5-14 Loading the paper

- ⑤ Inset the edge of the paper into the paper feeder (black plastic part). If inserted correctly, the edge of the paper will pass through the auto cutter paper slit. The paper will be cut once.
- ⑥ Remove the cut tip, and close the cover.

Note: When the paper end mark appears on the paper, replace the paper roll before it runs out.

5-3. Installing the Roll Paper Guide

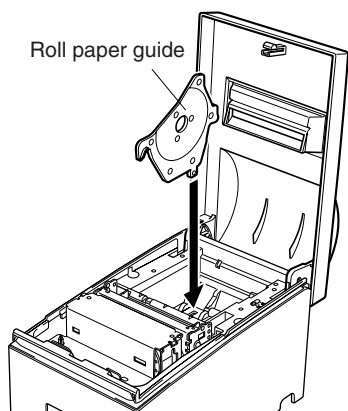
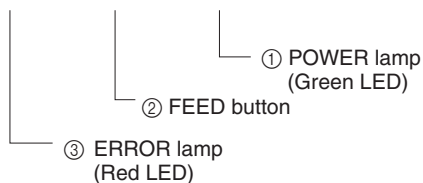
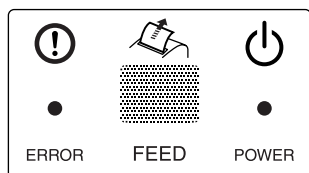


Fig. 5-15 Installing the roll paper guide

When using a paper roll with an 58 mm width, install the attached roll paper guide in the groove in the printer. The setting for memory switch 2-A and 2-B must be changed to change the print width from 63 mm to 45 mm. For instructions on setting the memory switch, please refer to the separate Programmer's Manual.

6. Control Panel and Other Functions

6-1. Control Panel



- ① POWER lamp (Green LED)
Lights when the power is ON
- ② FEED button
Press the FEED button to feed roll paper.
- ③ ERROR lamp (Red LED)
Indicates various errors in combination with POWER lamp

6-2. Basic Indicators

	POWER lamp	ERROR lamp	Buzzer
Power On/Off	On/Off	—	—
Online	On	Off	—
Offline	Off	Off	—

6-3. Errors

1) Recoverable error

Error Description	POWER lamp	ERROR lamp	Buzzer	Recovery Conditions
Paper end error	On	On	4 short beeps (0.13 sec.) repeated twice	*1
Waiting for recovery to online status after paper setting	Flashes (Off: 0.25 sec./Off: 0.25 sec.)	Off	None	*2
Paper near end error	On	Flashes (On: 2 sec./Off: 2 sec.)	2 short beeps (0.13 sec.) repeated twice (When the printer status is off line)	*3
Head high temperature detection	Flashes (Off: 1 sec./Off: 1 sec.)	Off	None	*4
Board high temperature detection	Flashes (On: 2 sec./Off: 2 sec.)	Off	None	*5
Cutter error (on models with cutter)	On	Flashes (On: 0.125 sec./Off: 0.125 sec.)	3 short beeps (0.13 sec. + 0.13 sec. + 0.5 sec.)	*6
Mechanical error (other than cutter error)	On	Flashes (On: 0.25 sec./Off: 0.25 sec.)	2 short beeps (0.13 sec. + 0.5 sec.)	*7
Black mark detection error	On	Flashes (On: 0.5 sec./Off: 0.5 sec.)	3 short beeps (0.13 sec. + 0.13 sec. + 0.13 sec.)	*8

*1 After you insert the paper in the paper entrance, the printer loads the paper automatically.

Confirm that the POWER lamp is flashing, and then press the FEED button.

*2 Press the FEED button.

*3 An error is displayed in the STAR mode, but printing continues without stopping. When there is no paper, the paper end error will be displayed. Follow the steps in Recovery Conditions *1 to recover.

Operations in the ESC/POS mode are determined by the <ESC> “c4” n command.

In other words, set the paper in the printer and confirm that the POWER lamp is flashing, and then press the FEED button after printing has stopped if the parameter has been set to cease printing.

*4 Automatically the printer is recovered after the print head has cooled.

A print head temperature error is not abnormal.

*5 Automatically the printer is recovered after the board has cooled.

*6 Automatically the printer is recovered if the cutter returns to the home position after turning the power OFF and ON.

Restoration is also possible with the <DLE> <ENQ> n command when in the ESC/POS mode.

Note

- 1) If the cutter doesn't return to the home position, or doesn't perform the initial movement, it cannot be recovered.
- 2) If the paper is jammed, turn the power OFF, clear the jammed paper, then turn the power ON.
- 3) When the error occurs:
STAR Mode: Non recoverable error
ESC/POS Mode: Recoverable error

*7 Turn the power OFF, clear the jammed paper or remedy another problem and then turn the power ON. Automatically the printer is recovered if the carriage returns to the home position after turning the power OFF and ON. Restoration is also possible with the <DLE> <ENQ> n command when in the ESC/POS mode.

When the error occurs:

STAR Mode: Non recoverable error

ESC/POS Mode: Recoverable error

*8 For paper jam errors:

Clear the jammed paper and change the paper roll if necessary.

For incorrect paper format errors:

Change the paper roll and use a paper roll with the correct black mark.

2) Non recoverable error

Error Description	POWER lamp	ERROR lamp	Buzzer
Thermistor failure error	Off	Flashes (On: 0.25 sec./Off: 0.25 sec.)	2 short beeps (0.13 sec. + 0.5 sec.)
Flash memory write error	Off	Flashes (Off: 1 sec./Off: 1 sec.)	None
RAM R/W error	Off	On	None
Power supply error	Off	Flashes (On: 2 sec./Off: 2 sec.)	None
CPU error	Off	On	One long beep (2 sec.)

Note

If a non-recoverable error occurs, turn the power OFF, wait at least 10 seconds, and turn the power back ON. If the non-recoverable error continues to be indicated, consult a dealer for repairs.

6-4. Adjustment Mode

There are the following four adjustment modes.

The device will enter the adjustment mode if your turn it on while pressing the FEED switch.

The Self Printing Mode is entered by releasing the FEED switch after the buzzer sounds once.



(Holding down for 2 more seconds)

Adjusting the Dot Alignment Mode is entered by releasing the FEED switch after the buzzer sounds twice.
(Refer to Appendix G.)



(Holding down for 2 more seconds)

The Hexadecimal Dump Mode is entered by releasing the FEED switch after the buzzer sounds three times.



(Holding down for 2 more seconds)

The Black Mark Sensor Alignment Mode is entered by releasing the FEED switch after the buzzer sounds four times.
(Refer to Appendix H.)



If the buzzer sounds five times or more, immediately turn the power off as the adjustment mode is cancelled.

6-4-1. Self Printing Mode

Self-printing will be performed according to the VER. NO., Memory switch settings, DIP switch settings and character order. When the FEED switch is held continuously or when the FEED switch is depressed at the time of the end of self-printing, only the characters will be printed out repeatedly.

*** 55

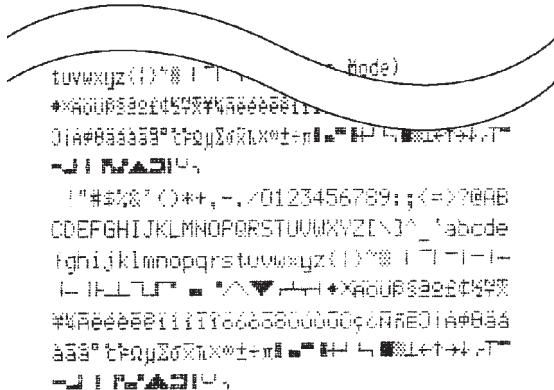
Memory Switch

```

          FEDCBA9876543210  HEX.
<0> 0000000000000000 0000
<1> 0000000000000000 0000
<2> 0000000000000000 0000
<3> 0000000000000000 0000
<4> 0000000000000000 0000
<5> 0000000000000000 0000
<6> 0000000000000000 0000
<7> 0000000000000000 0000
  
```

```

<0> 4 = Model : Standard
<1> 4 = Zero Style : Normal Zero
<2> A = Print Width : Wide
<2> 0-1 = NE Sensor : Unmounting
  
```



6-4-2. Hexadecimal Dump Mode

Each of the signals sent from the computer to the printer will be printed out in hexadecimal code.

This function allows you to check if a control code sent to the printer by the program being used is correct or not. The last line is not printed if its data is less than one full line. However, if the FEED switch is pressed to set the off line mode, the last line will be printed. To turn off the mode, it is necessary to turn off the printer completely.

```

//// Hexadecimal Dump ////

00 01 02 03 04 05 06 07      .....
08 09 0A 0B 0C 0D 0E 0F      .....
10 11 12 13 14 15 16 17      .....
18 19 1A 1B 1C 1D 1E 1F      .....
20 21 22 23 24 25 26 27      !"#$%&'
28 29 2A 2B 2C 2D 2E 2F      ()*+,-./
30 31 32 33 34 35 36 37      01234567
38 39 3A 3B 3C 0A             89:;<.

```


TABLE DES MATIERES

1. Introduction	27
2. Déballage et inspection	28
2-1. Déballage	28
2-2. Emplacement de l'imprimante	29
2-3. Précautions de manipulation	29
2-4. Entretien	29
3. Identification des pièces et nomenclature	30
4. Câbles de connexion et câble d'alimentation	32
4-1. Connexion du câble d'interface	32
4-2. Raccordement d'un appareil périphérique	33
4-3. Connexion de câble d'alimentation secteur optionnel	34
4-4. Mise sous tension de l'imprimante	35
4-5. Placement de la plaque arrière	35
4-6. Installation du câble	36
4-7. Installation du cache de l'interrupteur	37
5. Installation d'une cartouche à ruban et chargement du papier	38
5-1. Modèle avec barre de tension	38
5-2. Modèle avec coupe-papier automatique	41
5-3. Installation du guide du rouleau de papier	44
6. Panneau de commande et autres fonctions	45
6-1. Panneau de commande	45
6-2. Indicateurs de base	45
6-3. Erreurs	46
6-4. Mode de réglage	48
APPENDICE	104

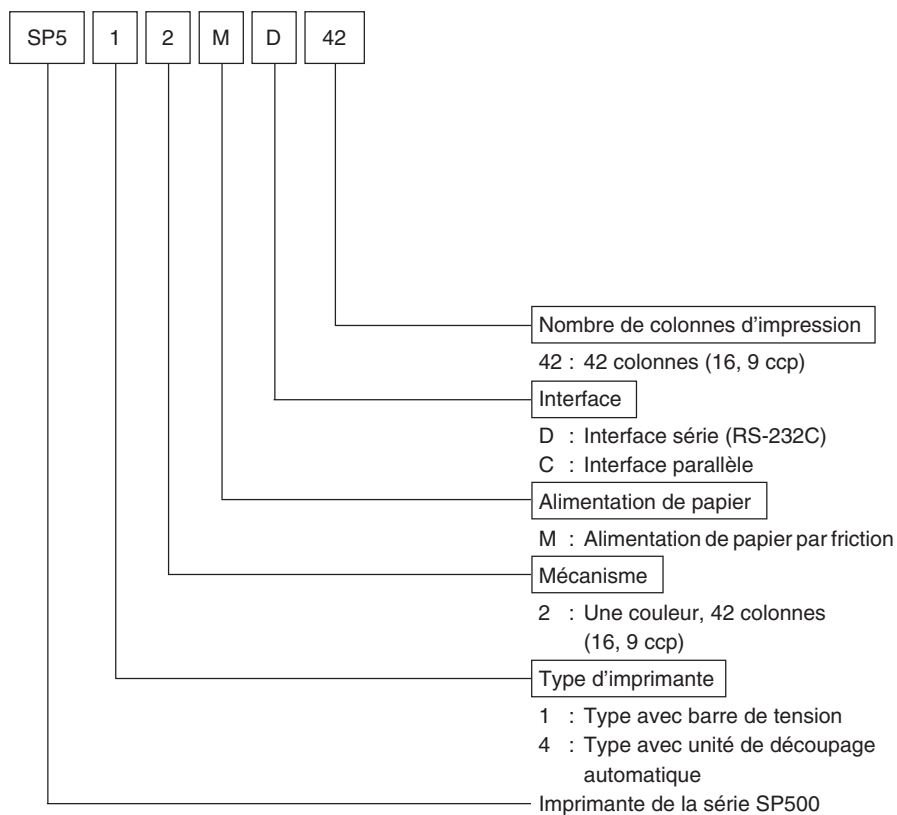
L'appendice n'est pas traduit.

1. Introduction

L'imprimante série à impact et matrice de points est conçue pour une utilisation avec des instruments électroniques tels que des terminaux points de vente, du matériel bancaire, du matériel périphérique pour ordinateurs, etc.

Les caractéristiques principales des modèles de la série SP500 sont les suivantes:

1. Impression bi-directionnelle à 4 lignes/sec. environ.
2. Interface série ou parallèle.
3. Tampon de données permettant à l'appareil de recevoir des données d'impression même pendant le travail d'impression.
4. Circuit de contrôle d'appareils périphériques permettant la commande de dispositifs extérieurs tels que des tiroirs-caisses.

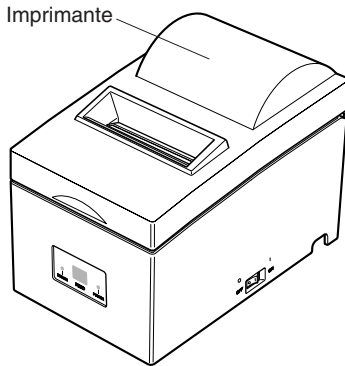


2. Déballage et inspection

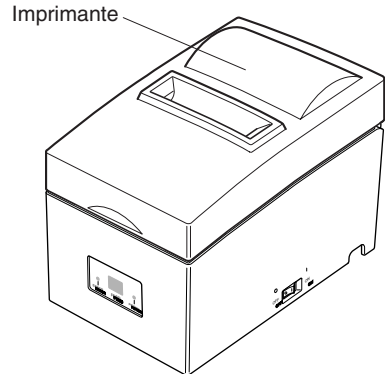
2-1. Déballage

Après avoir déballé l'appareil, vérifiez si tous les accessoires nécessaires se trouvent dans la boîte.

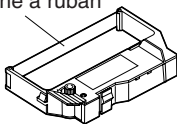
Modèle avec barre de tension



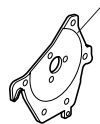
Modèle avec coupe-papier automatique



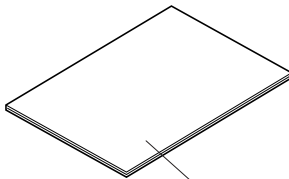
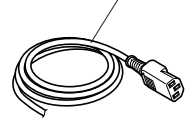
Cartouche à ruban



Guide du rouleau de papier



Câble d'alimentation



Mode d'emploi

Plaque arrière



Cache de l'interrupteur



Fig. 2-1 Déballage

Si l'un des éléments mentionnés ci-dessus ne se trouve pas dans la caisse, adressez-vous au magasin où vous avez acheté l'imprimante et demandez que la pièce manquante vous soit fournie. Il est préférable de conserver la caisse d'origine ainsi que tous les emballages. Ceux-ci vous seront utiles s'il vous faut emballer l'imprimante ou la transporter.

2-2. Emplacement de l'imprimante

Pour installer correctement l'imprimante, gardez à l'esprit les conseils suivants:

1. Mettez l'imprimante à l'abri de températures excessivement élevées comme en plein soleil ou à proximité d'un appareil de chauffage, et à l'abri de l'humidité et de la poussière.
2. Installez l'imprimante sur une surface stable et de niveau sur laquelle l'imprimante ne sera pas soumise à des vibrations.
3. Veillez à ce que l'imprimante soit branchée sur une source secteur stable. Par exemple, ne pas brancher l'imprimante sur la prise secteur d'un circuit alimentant déjà un appareil électroménager gros consommateur de courant et producteur de parasites, tel qu'un réfrigérateur ou un climatiseur.
4. Veillez à ce que la tension du secteur corresponde bien à la tension spécifiée sur la plaque d'identification de l'imprimante.
5. Pour débrancher l'imprimante, la fiche doit être débranchée de la prise murale, et celle-ci doit être située à proximité de l'imprimante et facile d'accès.

2-3. Précautions de manipulation

1. Faites attention à ne pas laisser tomber de trombones, punaises ou autres objets dans l'imprimante. Un dysfonctionnement pourrait en résulter.
2. Ne pas essayer d'imprimer quand il n'y a pas de papier ou de cartouche à ruban dans l'imprimante. La tête d'impression pourrait être endommagée.
3. Ne pas ouvrir le capot pendant l'impression.
4. Ne pas toucher la tête d'impression immédiatement après un travail d'impression car elle devient très chaude.
5. Utilisez seulement un rouleau de papier dont l'extrémité n'est pas collée au tube central.
6. Quand le repère de fin de papier apparaît sur le papier, remplacez le rouleau de papier avant qu'il soit terminé.

2-4. Entretien

Avant tout, cette imprimante est un appareil robuste, mais un minimum de précautions sont à prendre pour éviter les dysfonctionnements. Par exemple:

1. Laissez l'imprimante dans un environnement "confortable". En gros, si vous êtes à l'aise, l'environnement sera acceptable pour l'imprimante.
2. Ne pas soumettre l'imprimante à des chocs ou à des vibrations excessives.
3. Évitez les environnements excessivement poussiéreux. La poussière est l'ennemi de tous les appareils mécaniques de précision.
4. Pour nettoyer l'extérieur de l'imprimante, utilisez un chiffon légèrement imbibé d'eau ou d'alcool, mais ne laissez aucun liquide pénétrer à l'intérieur de l'imprimante.
5. L'intérieur de l'imprimante peut être nettoyé avec une petite brosse de nettoyage ou un aérosol à air comprimé (vendu à cet effet). Pendant cette opération, veillez à ne pas plier ni endommager les connexions ou les composants électroniques.

3. Identification des pièces et nomenclature

Modèle avec barre de tension

Capot

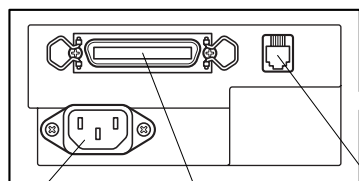
Protège l'imprimante de la poussière et réduit le bruit.
Ne pas ouvrir le capot pendant l'impression.

Panneau de commande

Comprend un commutateur de commande et trois témoins indiquant le statut de l'imprimante.

Interrupteur d'alimentation

Cet interrupteur vous permet de mettre l'imprimante sous tension et hors tension.



Connecteur d'alimentation

Pour la connexion du câble d'alimentation.

Connecteur d'interface

Ce connecteur vous permet de raccorder l'imprimante à l'ordinateur hôte.

Connecteur de pilotage d'appareils périphériques

Ce connecteur vous permet de raccorder l'imprimante à des appareils périphériques tels que des tiroirs-caisses, etc. Ne pas raccorder à un téléphone.

Fig. 3-1 Vue externe de l'imprimante (Modèle avec barre de tension)

Modèle avec coupe-papier automatique

Capot

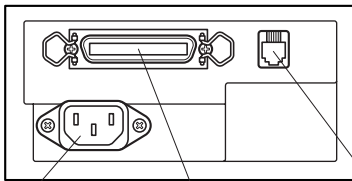
Protège l'imprimante de la poussière et réduit le bruit.
Ne pas ouvrir le capot pendant l'impression.

Panneau de commande

Comprend un commutateur de commande et trois témoins indiquant le statut de l'imprimante.

Interrupteur d'alimentation

Cet interrupteur vous permet de mettre l'imprimante sous tension et hors tension.



Connecteur d'alimentation

Pour la connexion du câble d'alimentation.

Connecteur d'interface

Ce connecteur vous permet de raccorder l'imprimante à l'ordinateur hôte.

Connecteur de pilotage d'appareils périphériques

Ce connecteur vous permet de raccorder l'imprimante à des appareils périphériques tels que des tiroirs-caisses, etc. Ne pas raccorder à un téléphone.

Fig. 3-2 Vue externe de l'imprimante (Modèle avec coupe-papier automatique)

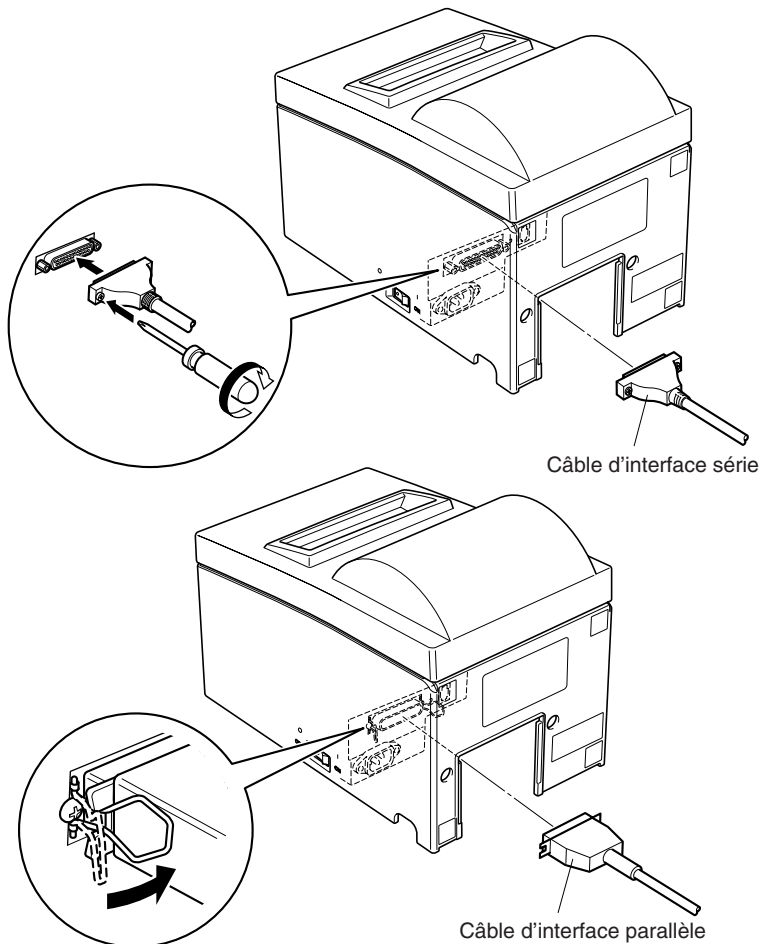
4. Câbles de connexion et câble d'alimentation

4-1. Connexion du câble d'interface

Remarque: Avant de connecter ou déconnecter le câble d'interface, veillez à ce que l'imprimante et tous les appareils qui y sont connectés soient hors tension.

Veillez également à débrancher le câble d'alimentation de la prise secteur.

- (1) Connectez le câble d'interface à la borne figurant sur le panneau arrière de l'imprimante.
- (2) Dans le cas d'une interface série, resserrez les vis du connecteur. Dans le cas d'une interface parallèle, fixez le connecteur avec les fermoirs.



4-2. Raccordement d'un appareil périphérique

Vous pouvez raccorder un appareil périphérique à l'imprimante à l'aide d'une fiche modulaire. Nous expliquons ci-dessous comment installer le tore de ferrite et faire le raccordement proprement dit. Pour les détails sur le type de fiche modulaire à utiliser, reportez-vous à la page 115. Notez que le fil ou la fiche modulaires ne sont pas fournis avec l'imprimante. Vous devrez donc vous les procurer.

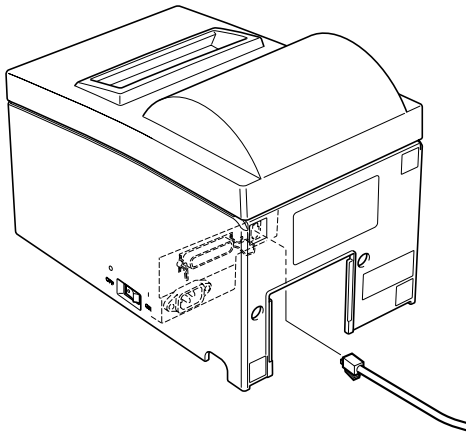
Attention!

Assurez-vous que l'imprimante est hors tension, qu'elle est débranchée de la prise secteur et que l'ordinateur est hors tension avant d'effectuer les connexions.

- (1) Connectez le câble de pilote de périphérique à la borne figurant sur le panneau arrière de l'imprimante.
-

Attention!

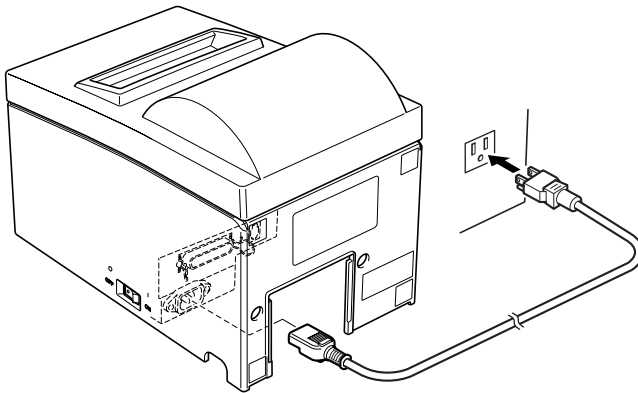
Ne connectez pas une ligne de téléphone à la borne du pilote de périphérique, sous peine de risquer d'endommager l'imprimante. Pour des raisons de sécurité, il convient également de ne pas brancher d'appareil périphérique en cas de risque de survolage.



4-3. Connexion de câble d'alimentation secteur optionnel

Remarque: Avant de connecter ou déconnecter câble d'alimentation, veillez à ce que l'imprimante et tous les appareils qui y sont connectés soient hors tension. Veillez également à débrancher le câble d'alimentation de la prise secteur.

- (1) Vérifiez, sur l'étiquette apposée à l'arrière ou au bas de l'imprimante, que la tension de l'appareil et de la prise secteur correspondent. Veillez également à ce que la fiche à l'extrémité du câble d'alimentation soit adaptée à la prise secteur.
- (2) Si le câble d'alimentation n'est pas connecté à l'imprimante, branchez l'extrémité adéquate dans l'entrée secteur à l'arrière de l'appareil.
- (3) Branchez le câble d'alimentation dans une prise secteur mise à la terre.



Attention!

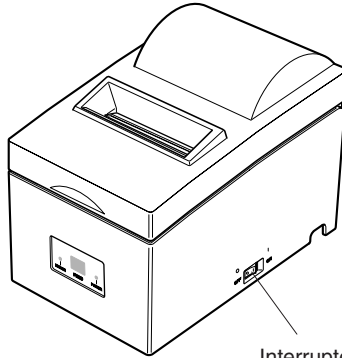
Si la tension indiquée sur l'étiquette de votre imprimante ne correspond pas à celle de votre secteur, contactez immédiatement votre revendeur.

4-4. Mise sous tension de l'imprimante

Assurez-vous d'avoir bien connecté le câble d'alimentation comme décrit à la section 4-3.

(1) Placez l'interrupteur d'alimentation, situé sur le côté droit de l'imprimante, sur la position sous tension.

La DEL POWER s'allume au panneau des commandes.



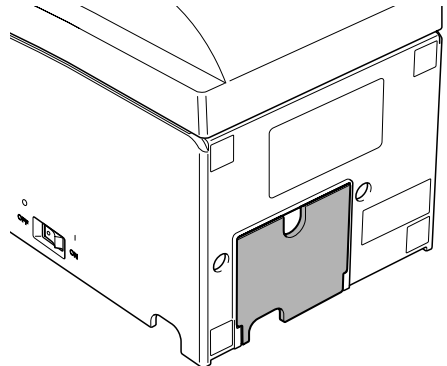
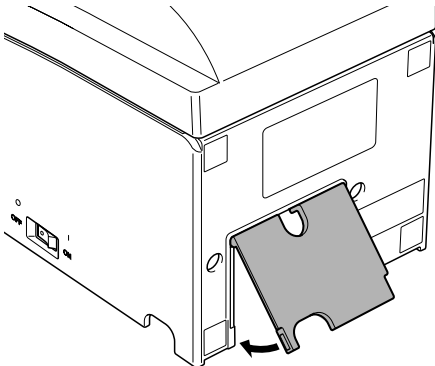
Interrupteur d'alimentation

Attention!

Nous vous recommandons de débrancher l'imprimante du secteur lorsque vous ne comptez pas l'utiliser pendant une période prolongée. Par ailleurs, veillez lors de l'installation à ce que la prise secteur alimentant l'imprimante soit proche et d'accès facile.

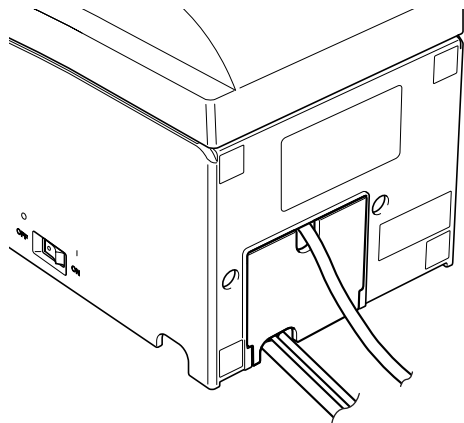
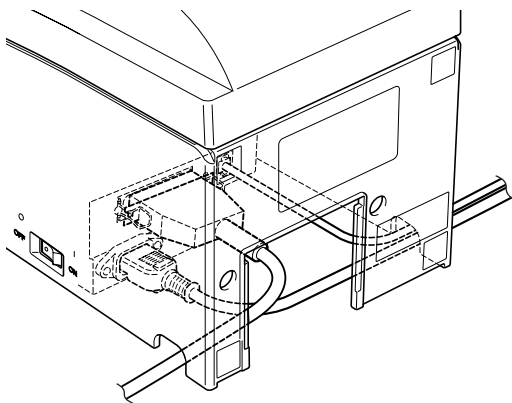
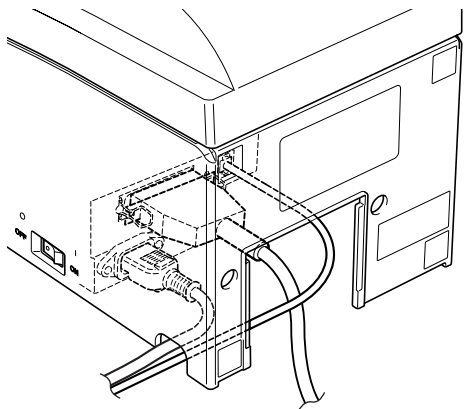
4-5. Placement de la plaque arrière

Au besoin, placez la plaque arrière.



4-6. Installation du câble

Installez le câble, comme indiqué sur le schéma ci-dessous.



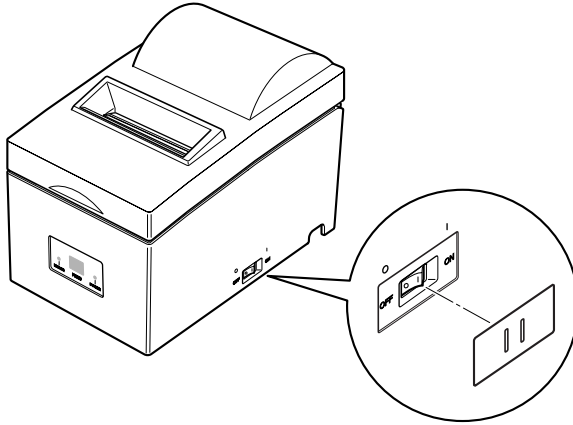
4-7. Installation du cache de l'interrupteur

L'installation de ce cache n'est pas nécessaire.

Ne l'installez que si vous souhaitez :

- éviter que l'interrupteur d'alimentation ne soit actionné par erreur ;
- vous assurer que personne ne peut l'actionner facilement.

Installez le cache, comme indiqué sur le schéma ci-dessous.



L'interrupteur peut être activé ON (I) et désactivé OFF (O) en insérant un instrument étroit (stylo à bille, par ex.) dans les orifices du cache de l'interrupteur.

Attention!

Nous vous recommandons de débrancher l'imprimante du secteur lorsque vous ne comptez pas l'utiliser pendant une période prolongée. Par ailleurs, veillez lors de l'installation à ce que la prise secteur alimentant l'imprimante soit proche et d'accès facile.

5. Installation d'une cartouche à ruban et chargement du papier

5-1. Modèle avec barre de tension

5-1-1. Installation d'une cartouche à ruban

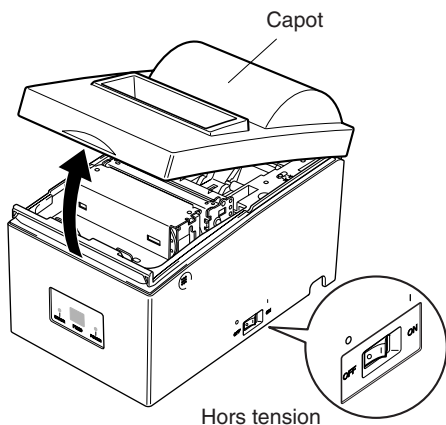


Fig. 5-1. Ouvrez le capot

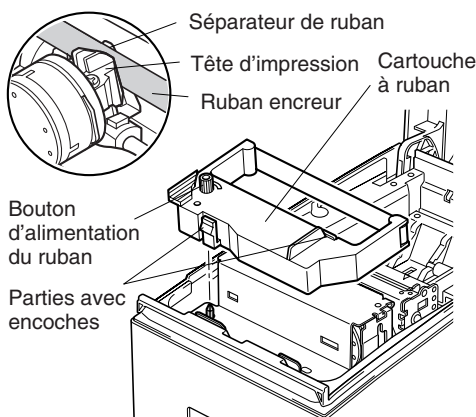


Fig. 5-2 Mise en place de la cartouche à ruban

- ① Mettez l'imprimante hors tension.
- ② Ouvrez le capot.

Attention!

1. Ne touchez pas la tête d'impression immédiatement après une impression ; en effet, celle-ci peut être très chaude.
2. Ne pas toucher la lame du coupe-ruban.
 - Une lame se trouve dans la fente de sortie de papier. Il est fortement déconseillé de mettre sa main dans la fente de sortie de papier non seulement pendant l'impression mais aussi en toute autre circonstance, même quand l'impression n'est pas effectuée.

- ③ Mettez la cartouche à ruban en place dans le sens indiqué dans la figure 5-2 et appuyez légèrement sur la cartouche afin qu'elle se mette en place. Si la mise en place de la cartouche n'est pas satisfaisante, appuyez sur la cartouche tout en faisant tourner le bouton d'alimentation du ruban de la cartouche dans le sens de la flèche.
- ④ Pour tendre le ruban, faites tourner le bouton d'alimentation du ruban de la cartouche dans le sens de la flèche.
- ⑤ Refermez le capot.

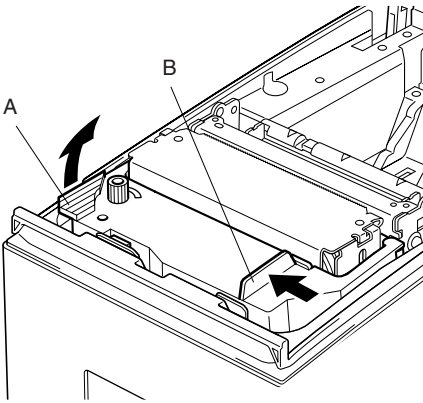


Fig. 5-3 Dégagement de la cartouche du ruban

5-1-2. Chargement du papier

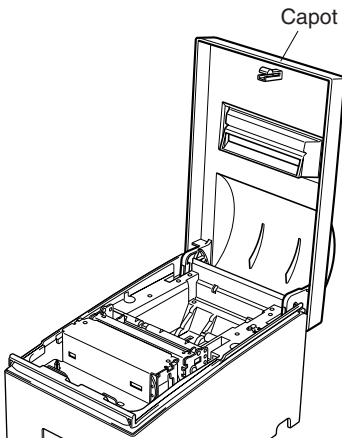


Fig. 5-4 Dépose du capot

- ① Ouvrez le capot.

Attention!

1. Ne touchez pas la tête d'impression immédiatement après une impression ; en effet, celle-ci peut être très chaude.
2. Ne pas toucher la lame du coupe-ruban.
 - Une lame se trouve dans la fente de sortie de papier. Il est fortement déconseillé de mettre sa main dans la fente de sortie de papier non seulement pendant l'impression mais aussi en toute autre circonstance, même quand l'impression n'est pas effectuée.

- ② Coupez l'extrémité du papier perpendiculairement.
- ③ Vérifiez si l'imprimante est bien sous tension.

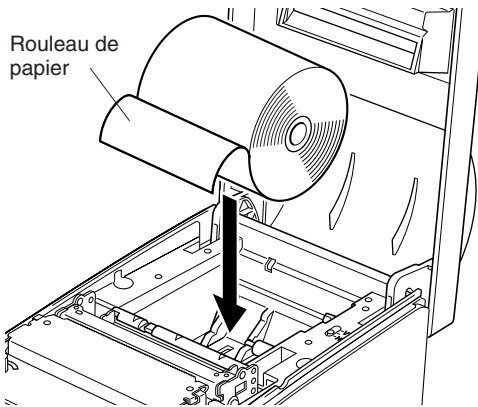


Fig. 5-5 Chargement du papier

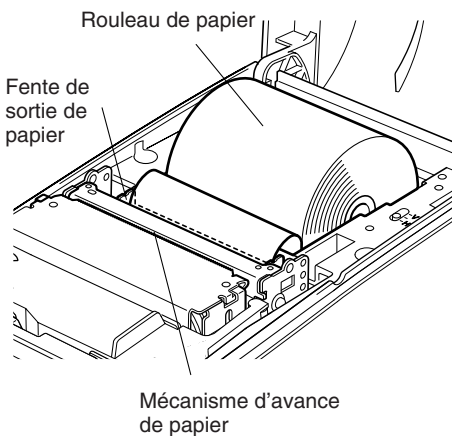
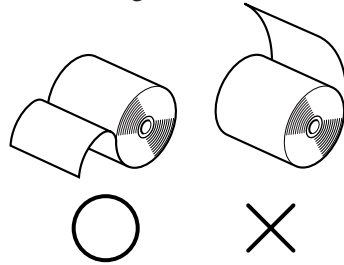


Fig. 5-6 Chargement du papier

- ④ En faisant attention au sens du rouleau, mettez le rouleau de papier en place dans le creux, comme indiqué dans la figure 5-5.



- ⑤ Insérer le bord du papier dans le mécanisme d'avance de papier (partie en plastique noir). S'il est inséré correctement, le bord du papier ressortira par la fente de sortie de papier.
- ⑥ Insérez l'extrémité du papier dans la fente de sortie où se trouve la barre de découpage, puis remettez le capot en place en suivant la procédure d'ouverture du capot décrite à l'étape ① ci-dessus dans le sens inverse.

Remarque: Quand le repère de fin de papier apparaît sur le papier, remplacez le rouleau de papier avant qu'il soit terminé.

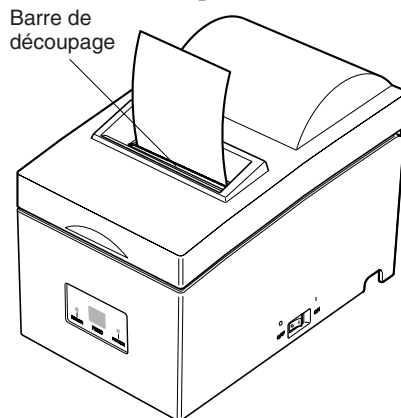


Fig. 5-7

5-2. Modèle avec coupe-papier automatique

5-2-1. Installation d'une cartouche à ruban

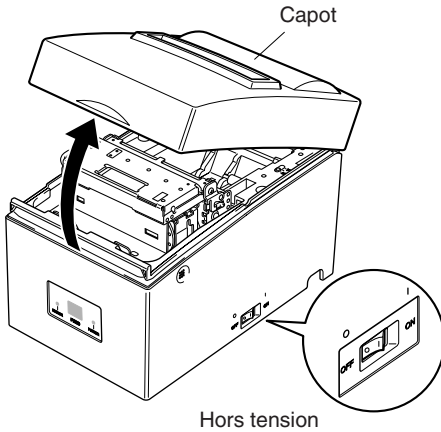


Fig. 5-8 Ouvrez le capot

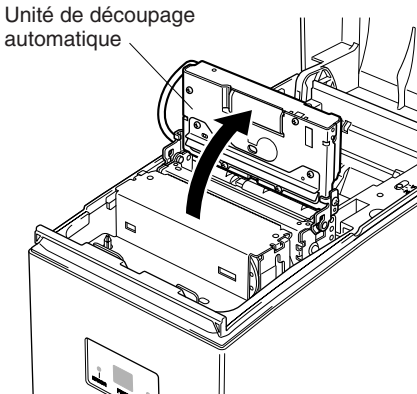


Fig. 5-9 Redressement de l'unité de découpage automatique

- ① Mettez l'imprimante hors tension.
- ② Ouvrez le capot.

Attention!

1. Ne touchez pas la tête d'impression immédiatement après une impression ; en effet, celle-ci peut être très chaude.
2. Ne pas toucher la lame du coupe-ruban.
 - Une lame se trouve dans la fente de sortie de papier. Il est fortement déconseillé de mettre sa main dans la fente de sortie de papier non seulement pendant l'impression mais aussi en toute autre circonstance, même quand l'impression n'est pas effectuée.

- ③ Soulevez l'unité de découpage automatique pour la mettre en position verticale, comme indiqué dans la figure 5-9.

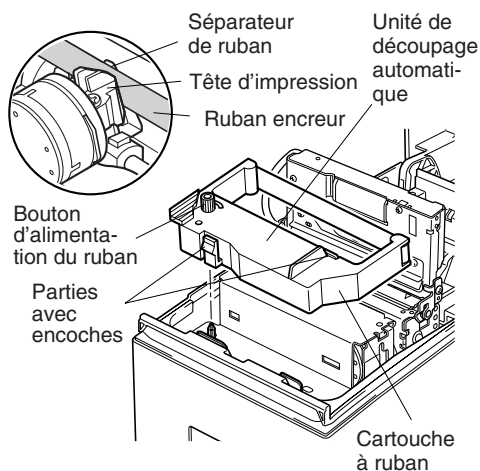


Fig. 5-10 Mise en place de la cartouche à ruban

- ④ Mettez la cartouche à ruban en place dans le sens indiqué dans la figure 5-10 et appuyez légèrement sur la cartouche afin qu'elle se mette en place. Si la mise en place de la cartouche n'est pas satisfaisante, appuyez sur la cartouche tout en faisant tourner le bouton d'alimentation du ruban de la cartouche dans le sens de la flèche.
- ⑤ Pour tendre le ruban, faites tourner le bouton d'alimentation du ruban de la cartouche dans le sens de la flèche.
- ⑥ Refermez l'unité de découpage automatique.
- ⑦ Refermez le capot.

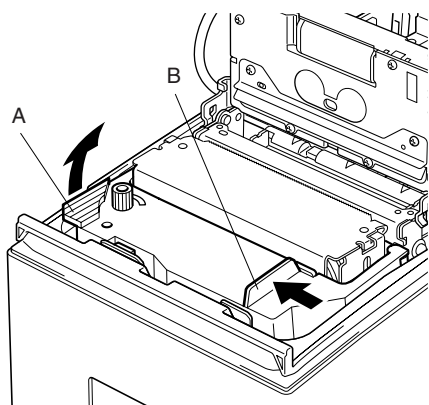


Fig. 5-11 Dégagement de la cartouche du ruban

Remarque: Pour enlever la cartouche à ruban, soulevez la partie A, puis enlevez la cartouche en la tenant par la partie B comme indiqué dans la figure 5-11.

5-2-2. Chargement du papier

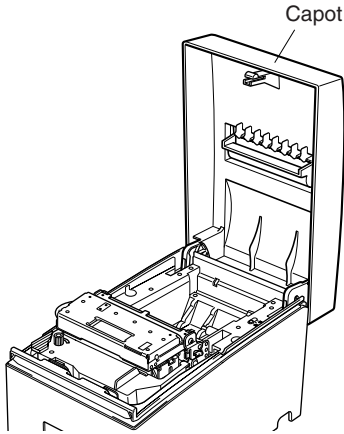
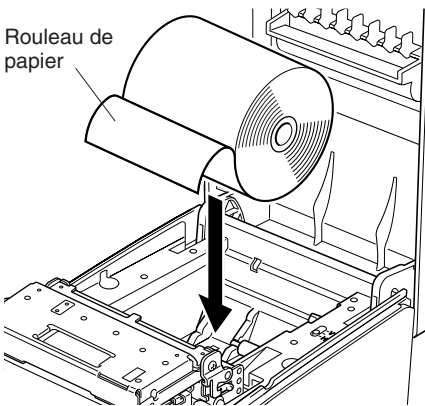


Fig. 5-12 Dépose du capot

- ① Ouvrez le capot.

Attention!

1. Ne touchez pas la tête d'impression immédiatement après une impression ; en effet, celle-ci peut être très chaude.
2. Ne pas toucher la lame du coupe-ruban.
 - Une lame se trouve dans la fente de sortie de papier. Il est fortement déconseillé de mettre sa main dans la fente de sortie de papier non seulement pendant l'impression mais aussi en toute autre circonstance, même quand l'impression n'est pas effectuée.



- ② Coupez l'extrémité du papier perpendiculairement.
- ③ Vérifiez si l'imprimante est bien sous tension.
- ④ En faisant attention au sens du rouleau, mettez le rouleau de papier en place dans le creux, comme indiqué dans la figure 5-13.

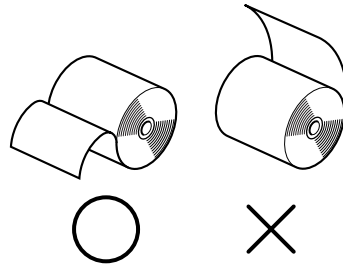


Fig. 5-13 Chargement du papier

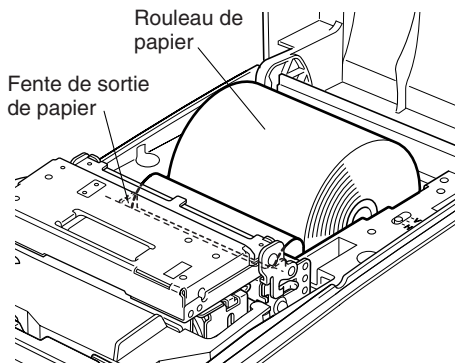


Fig. 5-14 Chargement du papier

- ⑤ Insérez l'extrémité du papier dans le mécanisme d'avance de papier (partie en plastique noir). S'il est inséré correctement, le bord du papier passera par la fente de l'unité de découpage automatique. Le papier sera coupé une fois.
- ⑥ Enlevez la partie coupée et refermez le capot.

Remarque: Quand la marque de fin de papier apparaît sur le papier, remplacez le rouleau avant qu'il soit épuisé.

5-3. Installation du guide du rouleau de papier

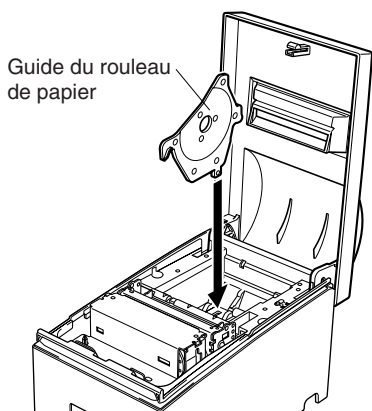
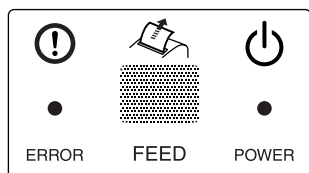


Fig. 5-15 Installation du guide du rouleau de papier

Lors de l'utilisation d'un rouleau de papier de 58 mm de large, installez le guide du rouleau de papier fourni dans le logement prévu dans l'imprimante. Réglez ensuite le commutateur mémoire 2-A et 2-B de sorte que la largeur d'impression passe de 63 mm à 45 mm. Pour obtenir des instructions sur le réglage du commutateur, reportez-vous au manuel de programmation, fourni séparément.

6. Panneau de commande et autres fonctions

6-1. Panneau de commande



- ① Témoin POWER (alimentation)
② Témoin FEED (avance de papier)
③ Témoin ERROR (erreur)

- ① Témoin POWER (DEL verte)
S'allume quand l'appareil est sous tension.
- ② Témoin FEED
Appuyez sur la touche FEED pour faire avancer le papier.
- ③ Témoin ERROR (DEL rouge)
Indique des erreurs variées en combinaison avec le témoin POWER.

6-2. Indicateurs de base

	Témoin POWER	Témoin ERROR	Avertisseur sonore
Sous tension/hors tension	Sous tension/hors tension	—	—
En ligne	Sous tension	Hors tension	—
Hors ligne	Hors tension	Hors tension	—

6-3. Erreurs

1) Erreur récupérable

Description de l'erreur	Témoin POWER	Témoin ERROR	Avertisseur sonore	Conditions de récupération
Erreur de fin de papier	Sous tension	Sous tension	4 bips courts (0,13 s) répétés deux fois	*1
Attente de récupération du statut en ligne après chargement du papier	Clignote (Hors tension : 0,25 s/ Hors tension : 0,25 s)	Hors tension	Aucun	*2
Erreur de proximité de fin de papier	Sous tension	Clignote (Sous tension : 2 s/ Hors tension : 2 s)	2 bips courts (0,13 s) répétés deux fois (si l'imprimante est hors ligne)	*3
Détection de température élevée de la tête	Clignote (Hors tension : 1 s/ Hors tension : 1 s)	Hors tension	Aucun	*4
Détection de température élevée de la carte	Clignote (Sous tension : 2 s/ Hors tension : 2 s)	Hors tension	Aucun	*5
Erreur de coupe-papier (sur les modèles avec coupe-papier)	Sous tension	Clignote (Sous tension : 0,125 s/ Hors tension : 0,125 s)	3 bips courts (0,13 s + 0,13 s + 0,5 s)	*6
Erreur mécanique (autre qu'une erreur de coupe-papier)	Sous tension	Clignote (Sous tension : 0,25 s/ Hors tension : 0,25 s)	2 bips courts (0,13 s + 0,5 s)	*7
Erreur de détection du repère noir	Sous tension	Clignote (Sous tension : 0,5 s/ Hors tension : 0,5 s)	3 bips courts (0,13 s + 0,13 s + 0,13 s)	*8

- *1 Une fois le papier inséré, l'imprimante le charge automatiquement.
Vérifiez que le témoin POWER clignote, puis appuyez sur la touche FEED.
- *2 Appuyez sur la touche FEED.
- *3 Une erreur s'affiche en mode STAR, mais l'impression continue sans s'arrêter. L'erreur de fin de papier s'affiche lorsque celui-ci est épuisé. Respectez les étapes décrites au point *1 de la colonne des conditions de récupération pour effectuer la récupération.
Les opérations en mode ESC/ POS sont déterminées par la commande <ESC> "c4" n.
En d'autres termes, placez le papier dans l'imprimante et vérifiez que le témoin POWER clignote, puis appuyez sur la touche FEED après l'arrêt de l'impression si le paramètre a été configuré pour exécuter cette opération.
- *4 La récupération de l'imprimante est automatique une fois la tête refroidie. Une erreur de température de la tête est normale.
- *5 La récupération de l'imprimante est automatique une fois la carte refroidie.
- *6 La récupération de l'imprimante est automatique si le coupe-papier revient dans sa position d'origine une fois l'appareil mis hors puis sous tension.
La restauration est également possible avec la commande <DLE> <ENQ> n en mode ESC/ POS.

Remarque

- 1) Si le coupe-papier ne revient pas dans sa position d'origine ou n'exécute pas le mouvement initial, la récupération est impossible.
- 2) Si le papier est coincé, mettez l'appareil hors tension, dégagez le bourrage de papier, puis mettez l'appareil sous tension.
- 3) En cas d'erreur:
Mode STAR : Erreur non récupérable
Mode ESC/ POS : Erreur récupérable

*7 Mettez l'appareil hors tension, dégagez le bourrage de papier ou remédiez à un autre problème, puis mettez l'appareil sous tension. La récupération de l'imprimante est automatique si le chariot revient dans sa position d'origine une fois l'appareil mis hors puis sous tension.

La restauration est également possible avec la commande <DLE> <ENQ> n en mode ESC/ POS.

En cas d'erreur:

Mode STAR : Erreur non récupérable

Mode ESC/ POS : Erreur récupérable

*8 Pour les erreurs de bourrage de papier :

Retirez le papier coincé et changez le rouleau de papier, le cas échéant.

Pour les erreurs de format de papier incorrect :

Remplacez le rouleau de papier par un autre disposant du repère noir correct.

2) Erreur non récupérable

Description de l'erreur	Témoin POWER	Témoin ERROR	Avertisseur sonore
Erreur de thermistor	Hors tension	Clignote (Sous tension : 0,25 s/ Hors tension : 0,25 s)	2 bips courts (0,13 s + 0,5 s)
Erreur d'écriture de la mémoire flash	Hors tension	Clignote (Hors tension : 1 s/ Hors tension : 1 s)	Aucun
Erreur lecture/écriture mémoire vive	Hors tension	Sous tension	Aucun
Erreur d'alimentation	Hors tension	Clignote (Sous tension : 2 s/ Hors tension : 2 s)	Aucun
Erreur d'unité centrale	Hors tension	Sous tension	Un bip long (2 s)

Remarque

Si une erreur non récupérable se produit, mettez l'appareil hors tension, attendez 10 secondes minimum et remettez-le sous tension. Si l'erreur non récupérable continue de s'afficher, contactez votre revendeur pour des réparations.

6-4. Mode de réglage

Quatre modes de réglage sont disponibles.

L'appareil passe en mode de réglage si vous le mettez sous tension tout en appuyant sur le commutateur FEED.

Vous pouvez passer en mode Auto-impression en relâchant le commutateur FEED dès que l'avertisseur sonore retentit une fois.



(maintenez-le enfoncé au moins 2 secondes)

Passez en mode de réglage d'alignement des points en relâchant le commutateur FEED dès que l'avertisseur sonore retentit deux fois.

(Reportez-vous à l'Appendice G.)



(maintenez-le enfoncé au moins 2 secondes)

Vous pouvez passer en mode de vidage hexadécimal en relâchant le commutateur FEED dès que l'avertisseur sonore retentit trois fois.



(maintenez-le enfoncé au moins 2 secondes)

Vous pouvez passer en mode d'alignement du capteur de repère noir en relâchant le commutateur FEED dès que l'avertisseur sonore retentit quatre fois.

(Reportez-vous à l'Appendice H.)



Si l'avertisseur sonore retentit cinq fois minimum, mettez immédiatement l'appareil hors tension ; le mode de réglage est en effet annulé.

6-4-1. Mode Auto-impression

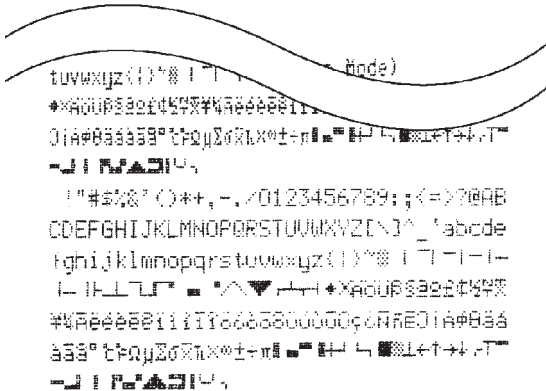
Le test d'impression sera effectué conformément au réglage du numéro de vérification, du commutateur mémoire des commutateurs DIP et de l'ordre des caractères. Si vous maintenez la pression sur la touche FEED ou si vous appuyez sur la touche FEED à la fin du test d'impression, seuls les caractères seront imprimés à plusieurs reprises.

*** 55

Memory Switch

	FEDCBA9876543210	HEX.
<0>	0000000000000000	0000
<1>	0000000000000000	0000
<2>	0000000000000000	0000
<3>	0000000000000000	0000
<4>	0000000000000000	0000
<5>	0000000000000000	0000
<6>	0000000000000000	0000
<7>	0000000000000000	0000

<0> 4 = Model : Standard
 <1> 4 = Zero Style : Normal Zero
 <2> A = Print Width : Wide
 <2> 0-1 = NE Sensor : Unmounting



6-4-2. Vidage hexadécimal

Chacun des signaux envoyés de l'ordinateur à l'imprimante sera imprimé en code hexadécimal.

Cette fonction vous permet de vérifier si un code de contrôle envoyé à l'imprimante par le programme utilisé est correct ou non. La dernière ligne n'est pas imprimée si les données correspondantes ne remplissent pas une ligne complète. Néanmoins, si vous appuyez sur la touche FEED pour mettre l'imprimante hors ligne, la dernière ligne sera imprimée. Pour sortir de ce mode, il est nécessaire de mettre l'imprimante hors tension.

```

//// Hexadecimal Dump ////

00 01 02 03 04 05 06 07      .....
08 09 0A 0B 0C 0D 0E 0F      .....
10 11 12 13 14 15 16 17      .....
18 19 1A 1B 1C 1D 1E 1F      .....
20 21 22 23 24 25 26 27      !"#$%&?
28 29 2A 2B 2C 2D 2E 2F      ()*+,-./
30 31 32 33 34 35 36 37      01234567
38 39 3A 3B 3C 0A           89:;<.

```


INHALTSVERZEICHNIS

1. Kurzbeschreibung	53
2. Auspacken und Aufstellen	54
2-1. Überprüfen	54
2-2. Wahl eines Aufstellungsorts für den Drucker	55
2-3. Hinweise zum Umgang	55
2-4. Wartung	55
3. Beschreibung und Bezeichnung der Geräteteile	56
4. Anschlußkabel und Netzkabel	58
4-1. Anschließen des Schnittstellenkabels	58
4-2. Anschluß an ein Peripheriegerät	59
4-3. Anschließen des optionalen Netzkabels	60
4-4. Einschalten	61
4-5. Anbringen der hinteren Abdeckung	61
4-6. Installieren der Kabel	62
4-7. Einsetzen der Schalterabdeckung	63
5. Einlegen von Farbbandkassette und Papier	64
5-1. Abreißkantenmodell	64
5-2. Abreißkantenmodell	67
5-3. Einsetzen des Papierrollenführung	70
6. Bedienfeld und andere Funktionen	71
6-1. Bedienfeld	71
6-2. Standardanzeigen	71
6-3. Fehler	72
6-4. Einstellungsmodus	74
ANHANG	104

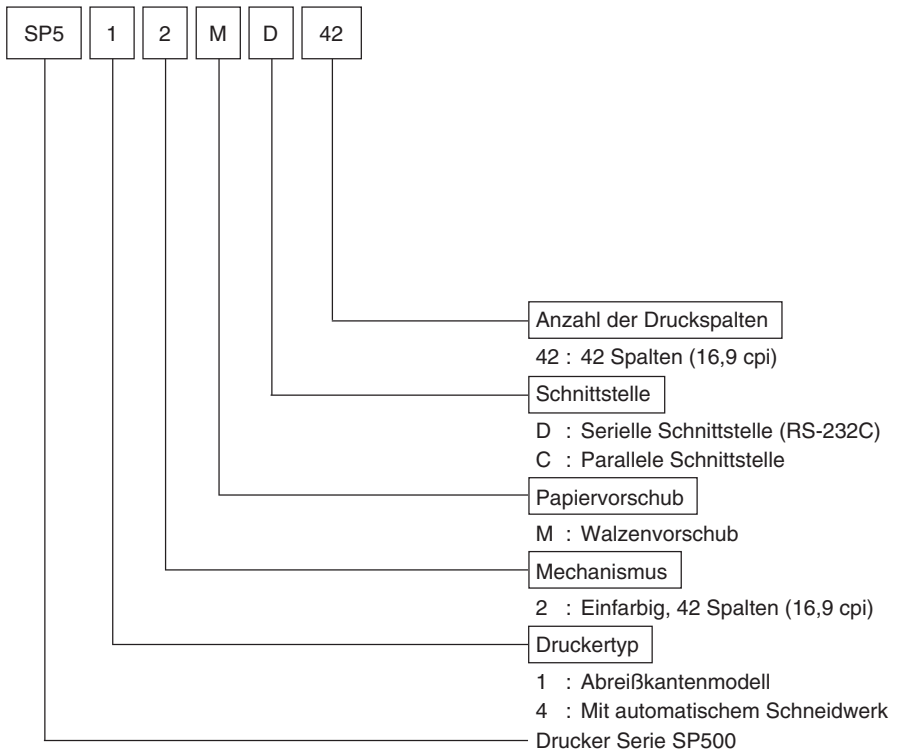
Der Anhang dieser Bedienungsanleitung ist nur in englischer Sprache.

1. Kurzbeschreibung

Der serielle Nadeldrucker der Serie SP500 ist zur Verwendung mit elektronischen Instrumenten wie POS, Bankgeräte, Computerzubehör, etc. gedacht.

Die wichtigsten Merkmale der Serie SP500 sind:

1. Bidirektioneller Druck mit ca. 4 Zeilen/s
2. Serielle oder parallele Schnittstelle
3. Pufferspeicher erlaubt, Druckdaten auch während des Druckvorgangs zu empfangen.
4. Peripherie-Steuerschaltung zur Steuerung von externen Geräten wie Registrierkassen:

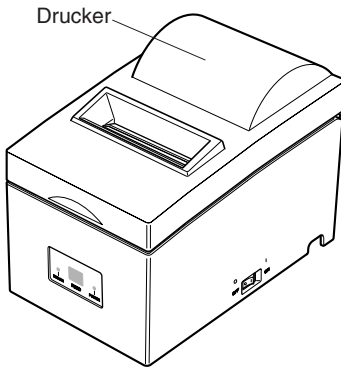


2. Auspacken und Aufstellen

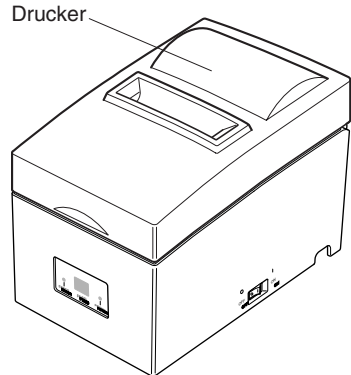
2-1. Überprüfen

Sie den Kartoninhalt, und vergewissern Sie sich, daß alle unten abgebildeten Teile vorhanden sind.

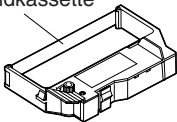
Abreißkantenmodell



Auto-Schneidwerkmodell



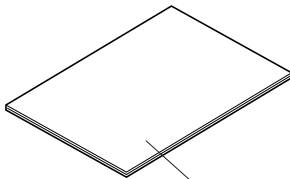
Farbbandkassette



Papierrollenföhrung

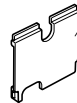


Netzkabel



Bedienungsanleitung

Hintere Abdeckung



Schalterabdeckung



Abb. 2-1 Auspacken

Falls Teile fehlen, wenden Sie sich zwecks Nachlieferung bitte an den Fachhandel, bei dem das Gerät gekauft wurde. Im Hinblick auf einen eventuellen zukünftigen Transport des Druckers empfiehlt es sich, den Lieferkarton und das gesamte Verpackungsmaterial aufzubewahren.

2-2. Wahl eines Aufstellungsorts für den Drucker

Bevor Sie den Drucker auspacken, sollten Sie einige Minuten damit verbringen, einen geeigneten Aufstellungsort auszusuchen. Denken Sie dabei an die folgenden Punkte:

1. Den Drucker vor Hitzequellen wie direktem Sonnenlicht oder Heizkörpern schützen und von Feuchtigkeit und Staub fernhalten.
2. Den Drucker auf einem flachen, aber festen Untergrund aufstellen, wo keine Vibrationen vorhanden sind.
3. Sicherstellen, daß der Drucker an eine einwandfreie Stromzufuhr angeschlossen ist. Er sollte nicht an Steckdosen angeschlossen werden, an denen bereits Geräte mit möglichen Netzstörungen wie Kopierer, Kühlschränke u.a. angeschlossen sind.
4. Die Versorgungsspannung muß dem Spannungswert auf dem Typenschild an der Unterseite des Druckers entsprechen.
5. Die verwendete Steckdose soll in der Nähe und frei zugänglich sein.

2-3. Hinweise zum Umgang

1. Achten Sie darauf, keine Papierclips oder anderen Fremdkörper in den Drucker fallen zu lassen. Diese können Betriebsstörungen oder Schäden am Gerät hervorrufen.
2. Versuchen Sie nicht zu drucken, wenn kein Papier oder keine Farbbandkassette eingelegt ist, da sonst der Druckkopf beschädigt werden kann.
3. Öffnen Sie nicht die Frontabdeckung während des Druckens.
4. Berühren Sie nicht den Druckkopf sofort nach dem Druckvorgang, da dieser sehr heiß wird.
5. Verwenden Sie nur Rollenpapier, das nicht am Rollenkern festgeklebt ist.
6. Wenn die Papierende-Markierung erscheint, tauschen Sie die Papierrolle aus, bevor sie ganz verbraucht ist.

2-4. Wartung

Ihr Drucker ist ein robust gebautes Gerät, sollte aber trotzdem mit einem gewissen Maß an Vorsicht behandelt werden, um Fehlfunktionen zu vermeiden. Zum Beispiel:

1. Stellen Sie den Drucker in einer "komfortablen" Betriebsumgebung auf. Als Faustregel gilt: Wo Sie sich wohlfühlen, fühlt sich der Drucker ebenfalls wohl.
2. Setzen Sie den Drucker keinen Erschütterungen oder starken Vibrationen aus.
3. Vermeiden Sie sehr staubige Umgebungen. Staub ist der Erzfeind aller Präzisionsgeräte.
4. Zum Reinigen des Gehäuses verwenden Sie einen nur leicht mit Wasser, sehr milder wässriger Seifenlösung oder ein wenig Alkohol angefeuchteten Lappen. Lassen Sie auf keinen Fall Flüssigkeiten in das Innere des Druckers geraten.
5. Das Innere des Druckers kann mit einem kleinen Reiniger oder einem Luftspray (in Fachgeschäften erhältlich) gereinigt werden. Bei dieser Arbeit darauf achten, keine Kabelverbindungen oder elektronische Bauteile zu verbiegen oder zu beschädigen.

3. Beschreibung und Bezeichnung der Geräteteile

Abreißkantenmodell

Abdeckung

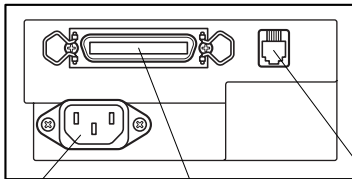
Schützt den Drucker vor Staub, und reduziert das Betriebsgeräusch. Nicht die Frontabdeckung während des Druckens öffnen.

Bedienfeld

Hat einen Steuerschalter und zwei Anzeigen zur Anzeige des Druckerzustands.

Netzschalter

Zum Ein- und Ausschalten des Druckers.



Netzanschluß

Zum Anschließen des Netzkabels.

Schnittstellenbuchse

Zum Anschluß des Druckers an den Hostcomputer.

Peripheriegerät-Steueranschluß

Zum Anschluß an Peripheriegeräte wie Registrierkassen etc. Nicht zum Anschluß an ein Telefon!

Abb. 3-1 Außenansicht des Druckers (Abreißkantenmodell)

Auto-Schneidwerkmodell

Abdeckung

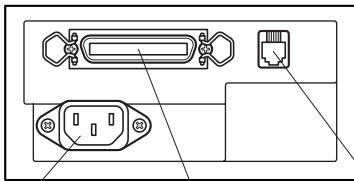
Schützt den Drucker vor Staub, und reduziert das Betriebsgeräusch. Nicht die Frontabdeckung während des Druckens öffnen.

Bedienfeld

Hat einen Steuerschalter und zwei Anzeigen zur Anzeige des Druckerzustands.

Netzschalter

Zum Ein- und Ausschalten des Druckers.



Netzanschluß

Zum Anschließen des Netzkabels.

Schnittstellenbuchse

Zum Anschluß des Druckers an den Hostcomputer.

Peripheriegerät-Steueranschluß

Zum Anschluß an Peripheriegeräte wie Registrierkassen etc. Nicht zum Anschluß an ein Telefon!

Abb. 3-2 Außenansicht des Druckers (Auto-Schneidwerkmodell)

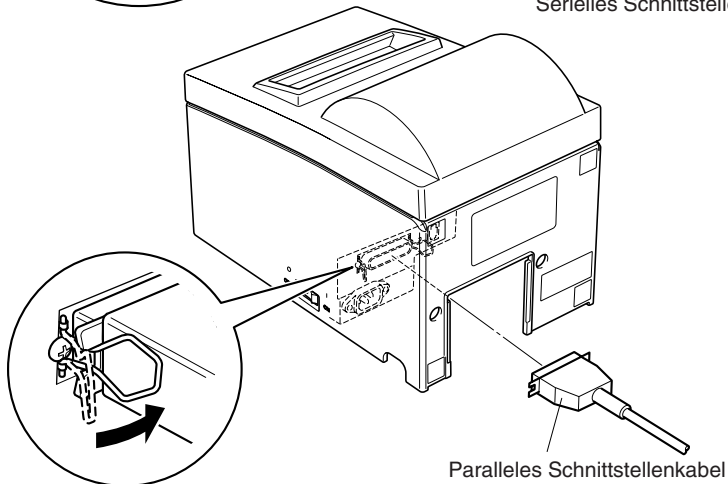
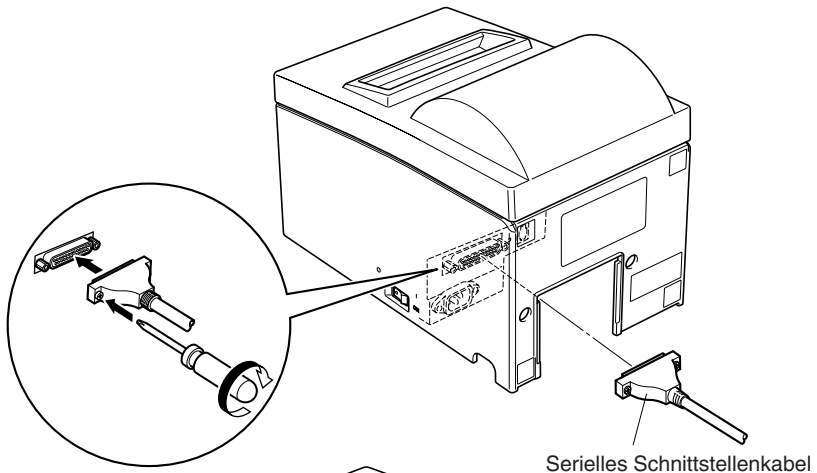
4. Anschlußkabel und Netzkabel

4-1. Anschließen des Schnittstellenkabels

Hinweis: Vor dem Anschließen/Abtrennen des Schnittstellenkabels stellen Sie sicher, daß der Drucker und alle angeschlossenen Gerät ausgeschaltet sind.

Außerdem sollte der Netzstecker abgezogen sein.

- (1) Schließen Sie das Schnittstellenkabel an die Buchse an der Rückseite des Druckers an.
- (2) Bei einer seriellen Schnittstelle ziehen Sie die Steckerschrauben fest. Bei einer parallelen Schnittstelle befestigen Sie die Steckerklammern.



4-2. Anschluß an ein Peripheriegerät

Es kann ein Peripheriegerät an den Drucker mit einem Modularstecker angeschlossen werden. Im folgenden wird beschrieben, wie der Ferritkern angebracht und die Verbindung hergestellt wird. Siehe "Modularstecker" auf Seite 115 für den Typ von Modularstecker, der dazu erforderlich ist. Beachten Sie, daß der Drucker nicht mit einem Modularstecker oder Kabel ausgestattet ist. Diese Teile müssen vom Anwender besorgt werden.

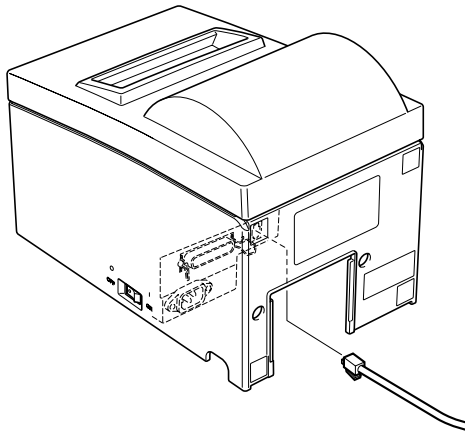
Wichtig!

Vor dem Anschließen der Kabel sicherstellen, daß der Drucker ausgeschaltet und vom Netz getrennt ist.

- (1) Schließen Sie das Peripheriegeräte­kabel an die Buchse an der Rückseite des Druckers an.
-

Wichtig!

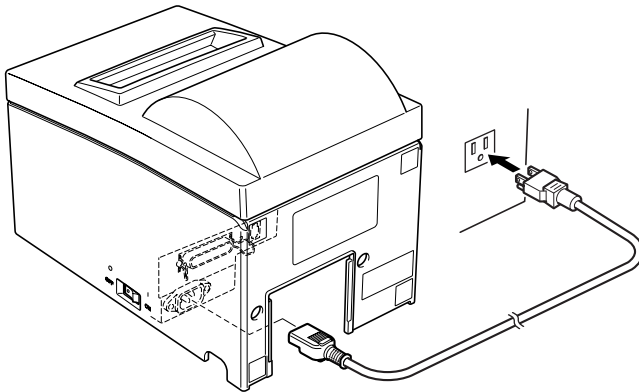
Nicht eine Telefonleitung an die Peripheriebuchse anschließen. Wenn dies geschieht, besteht die Gefahr von Schäden am Drucker. Aus Sicherheitsgründen außerdem nicht Verdrahtung an die Peripheriebuchse anschließen, wenn die Möglichkeit besteht, daß zu starke Spannung anliegt.



4-3. Anschließen des optionalen Netzkabels

Hinweis: Vor dem Anschließen/Abtrennen des Netzkabels stellen Sie sicher, daß der Drucker und alle angeschlossenen Gerät ausgeschaltet sind. Außerdem sollte der Netzstecker abgezogen sein.

- (1) Durch Überprüfen des Typenschilds auf der Rück- oder Unterseite des Druckers sicherstellen, daß seine Betriebsspannung mit der Spannung der Steckdose übereinstimmt. Stellen Sie ebenfalls sicher, daß der Stecker am Netzkabel der Steckdose entspricht.
- (2) Wenn das Netzkabel nicht direkt am Drucker befestigt ist, das entsprechende Ende des Netzkabels in die Stromversorgungsbuchse hinten am Drucker einstecken.
- (3) Das Netzkabel mit einer ordnungsgemäß geerdeten Wechselspannungs-Steckdose verbinden.



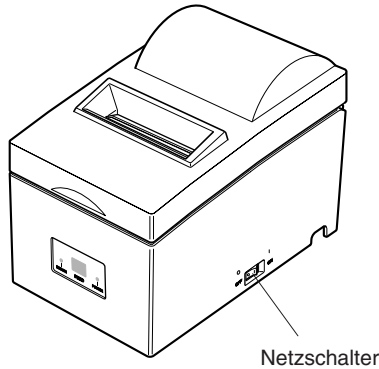
Wichtig!

Falls die auf dem Typenschild angegebene Spannung nicht mit der Versorgungsspannung in Ihrem Wohnbereich übereinstimmt, wenden Sie sich bitte sofort an Ihren Händler.

4-4. Einschalten

Stellen Sie sicher, daß das Netzkabel angeschlossen ist, wie in 3-3 beschrieben.

- (1) Netzschalter auf der rechten Seite des Geräts auf Ein (ON) stellen. Das POWER-Lämpchen am Bedienfeld leuchtet auf.

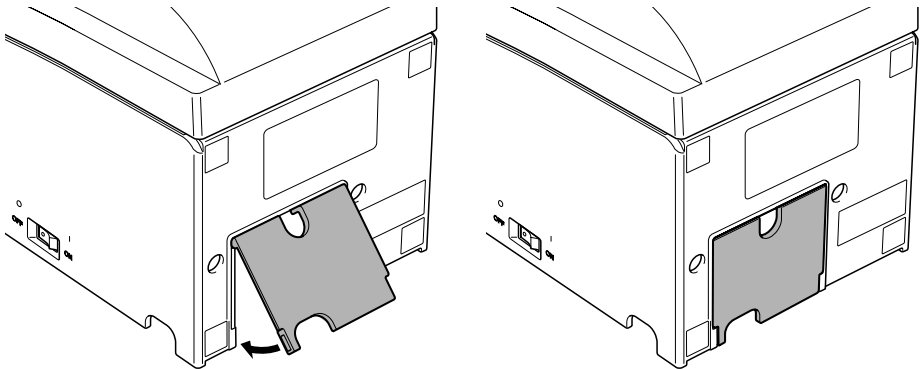


Wichtig!

Wir empfehlen, den Netzstecker aus der Steckdose zu ziehen, wenn der Drucker längere Zeit lang nicht benutzt werden soll. Der Drucker sollte vorzugsweise an einem Platz aufgestellt werden, der leichten Zugang zur Netzsteckdose gewährt.

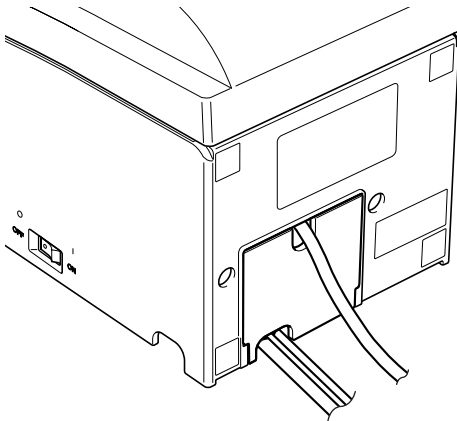
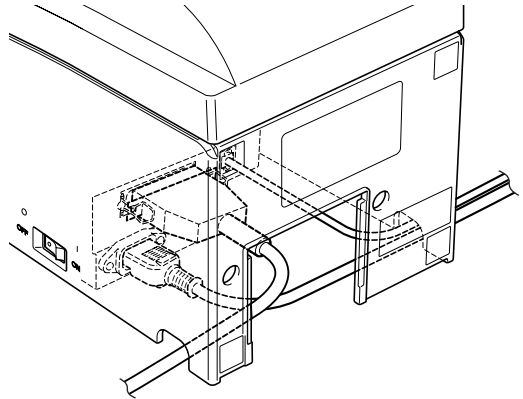
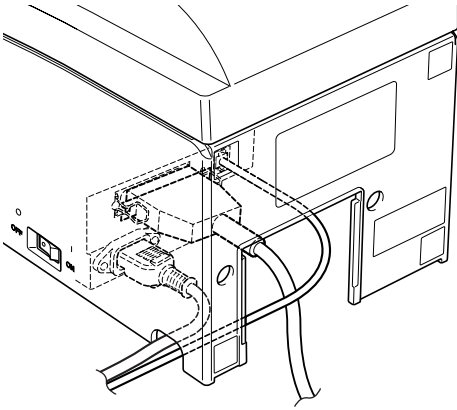
4-5. Anbringen der hinteren Abdeckung

Setzen Sie bei Bedarf die hintere Abdeckung ein.



4-6. Installieren der Kabel

Installieren Sie die Kabel wie in den nachfolgenden Abbildungen dargestellt.



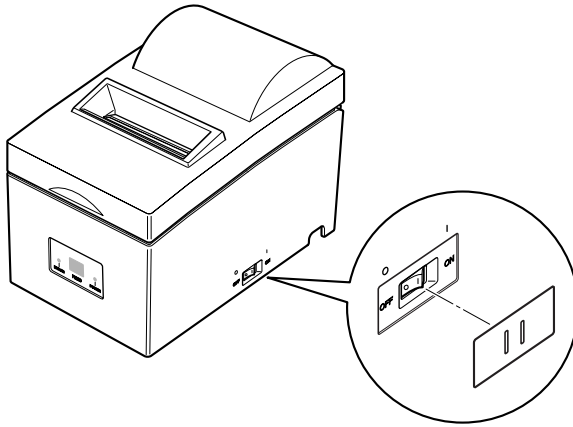
DEUTSCH

4-7. Einsetzen der Schalterabdeckung

Es ist nicht notwendig, die Schalterabdeckung zu verwenden. Setzen Sie diese nur ein, wenn für Sie erforderlich ist, daß

- der Netzschalter nicht versehentlich betätigt werden kann,
- der Netzschalter nicht mehr so einfach von anderen Personen betätigt werden kann.

Setzen Sie die Schalterabdeckung wie in den nachfolgenden Abbildungen dargestellt ein.



Der Netzschalter kann durch Einführen eines spitzigen Gegenstandes (Kugelschreiber usw.) in die Aussparungen der Schalterabdeckung ein- (I) und ausgeschaltet (O) werden.

Wichtig!

Wir empfehlen, den Netzstecker aus der Steckdose zu ziehen, wenn der Drucker längere Zeit lang nicht benutzt werden soll. Der Drucker sollte vorzugsweise an einem Platz aufgestellt werden, der leichten Zugang zur Netzsteckdose gewährt.

5. Einlegen von Farbbandkassette und Papier

5-1. Abreißkantenmodell

5-1-1. Einlegen der Farbbandkassette

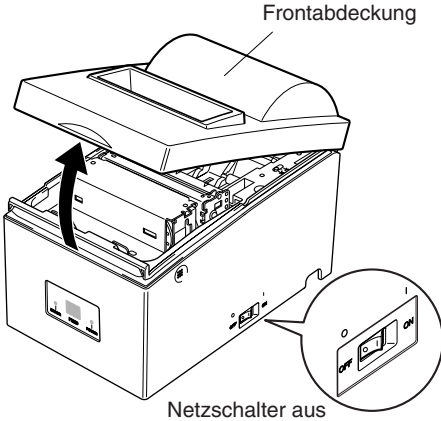


Abb. 5-1 Abdeckung abnehmen

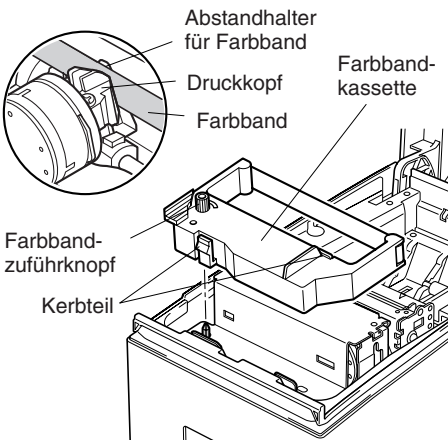


Abb. 5-2 Einlegen der Farbbandkassette

- ① Den Netzschalter am Drucker in Aus-Stellung stellen.
- ② Druckerabdeckung öffnen.

Wichtig!

1. Nicht den Druckkopf sofort nach dem Drucken berühren, da er sehr heiß sein kann.
2. Nicht die Schneidwerkklänge berühren.
 - Im Papierauslaßschlitz befindet sich ein Schneidwerk. Niemals die Hände in den Auslaßschlitz stecken, nicht nur während des Druckbetriebs sondern auch wenn der Drucker nicht arbeitet.

- ③ Die Farbbandkassette in der Richtung einsetzen wie in der Abbildung 5-2 gezeigt und eindrücken, bis sie hörbar einrastet. Wenn die Farbbandkassette nicht richtig sitzt, eingedrückt halten und gleichzeitig den Farbbandknopf in Pfeilrichtung drehen.
- ④ Um Schlaufen im Farbband aufzuwickeln, den Farbbandzuführknopf der Farbbandkassette in Pfeilrichtung drehen.
- ⑤ Druckerabdeckung schließen.

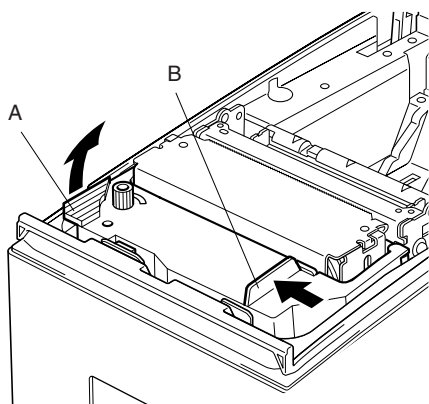


Abb. 5-3 Farbbandkassette ausbauen

Hinweis: Beim Entfernen der Farbbandkassette den Teil A anheben und dann die Kassette an Teil B halten und Abziehen wie in Abbildung 5-3 gezeigt.

5-1-2. Einlegen von Papier

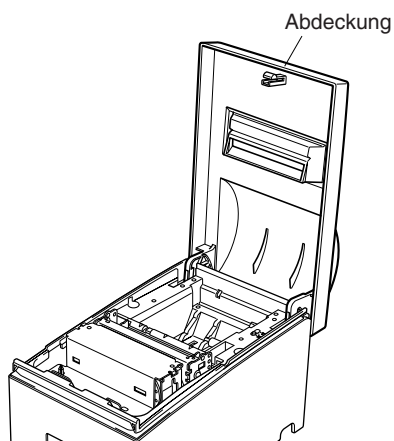


Abb. 5-4 Entfernen der Abdeckung

- ① Druckerabdeckung öffnen.

Wichtig!

1. Nicht den Druckkopf sofort nach dem Drucken berühren, da er sehr heiß sein kann.
2. Nicht die Schneidwerkklänge berühren.
 - Im Papierauslaßschlitz befindet sich ein Schneidwerk. Niemals die Hände in den Auslaßschlitz stecken, nicht nur während des Druckbetriebs sondern auch wenn der Drucker nicht arbeitet.

- ② Schneiden Sie die Vorderkante des Rollenpapiers in einer geraden Linie ab.
- ③ Bestätigen Sie, daß der Drucker eingeschaltet ist.

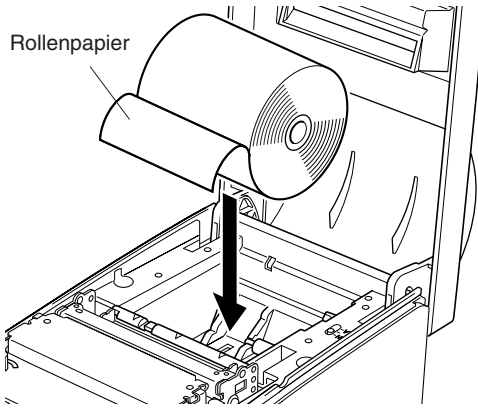
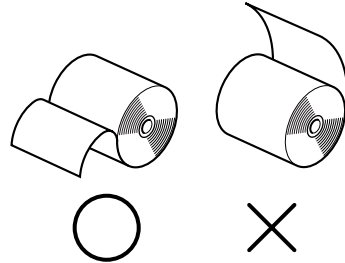


Abb. 5-5 Einlegen von Papier

- ④ Unter Beachtung der Richtung des Rollenpapiers das Rollenpapier in die Vertiefung setzen, wie in Abbildung 5-5 gezeigt.



- ⑤ Die Kante des Papiers in den Papiereinzug (schwarzes Plastikteil) setzen. Wenn richtig eingesetzt, läuft die Kante des Papiers durch den Papierauslauf.
- ⑥ Führen Sie die Oberkante des Papiers in den Abreißkantenschlitz ein, und bringen dann die Abdeckung an, indem Sie die Prozedur zum Öffnen der Frontabdeckung (Schritt ①) oben in umgekehrter Reihenfolge ausführen.

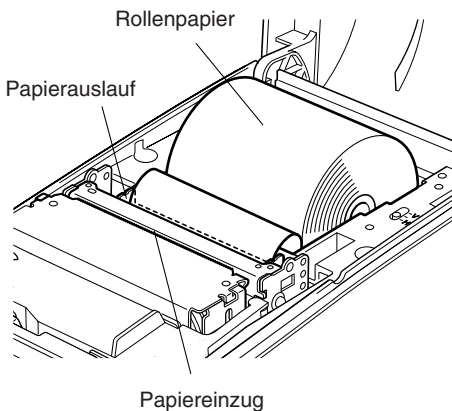


Abb. 5-6 Papier einlegen

Hinweis: Wenn die Papierendmarkierung auf dem Papier erscheint, das Rollenpapier austauschen, bevor es zu Ende geht.

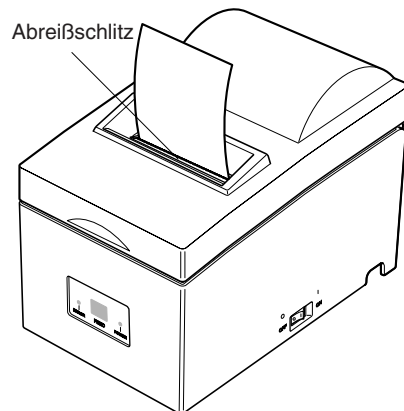


Abb. 5-7

5-2. Abreißkantenmodell

5-2-1. Einlegen der Farbbandkassette

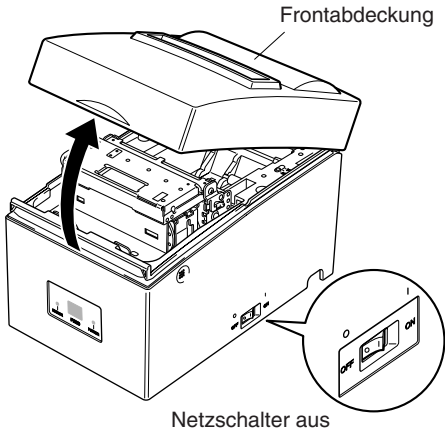


Abb. 5-8 Druckerabdeckung öffnen.

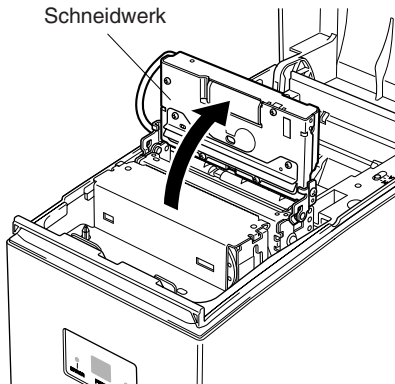


Abb. 5-9 Anheben des Schneidwerks

- ① Stellen Sie den Netzschalter am Drucker in Aus-Stellung.
- ② Druckerabdeckung öffnen.

Wichtig!

1. *Nicht den Druckkopf sofort nach dem Drucken berühren, da er sehr heiß sein kann.*
2. *Nicht die Schneidwerkklänge berühren.*
 - *Im Papierauslaßschlitz befindet sich ein Schneidwerk. Niemals die Hände in den Auslaßschlitz stecken, nicht nur während des Druckbetriebs sondern auch wenn der Drucker nicht arbeitet.*

- ③ Heben Sie das Schneidwerk an und stellen es in senkrechte Stellung, wie in Abbildung 5-9 gezeigt.

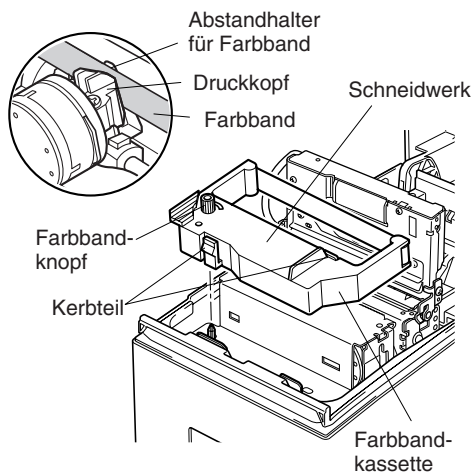


Abb. 5-10 Einlegen einer Farbbandkassette

- ④ Die Farbbandkassette in der Richtung einsetzen wie in der Abbildung 5-10 gezeigt und eindrücken, bis sie hörbar einrastet. Wenn die Farbbandkassette nicht richtig sitzt, eingedrückt halten und gleichzeitig den Farbbandknopf in Pfeilrichtung drehen.
- ⑤ Um Schlaufen im Farbband aufzuwickeln, den Farbbandzuführknopf der Farbbandkassette in Pfeilrichtung drehen.
- ⑥ Das Schneidwerk schließen.
- ⑦ Druckerabdeckung schließen.

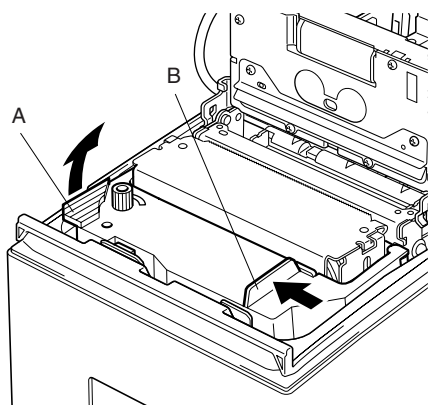


Abb. 5-11 Farbbandkassette ausbauen

Hinweis: Beim Entfernen der Farbbandkassette den Teil A anheben und dann die Kassette an Teil B halten und Abziehen wie in Abbildung 5-11 gezeigt.

5-2-2. Einlegen von Papier

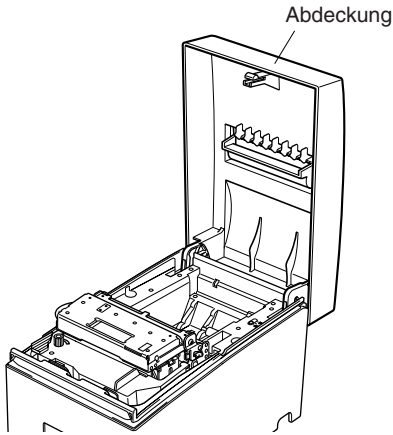


Abb. 5-12 Entfernen der Abdeckung

- ① Druckerabdeckung öffnen.

Wichtig!

1. *Nicht den Druckkopf sofort nach dem Drucken berühren, da er sehr heiß sein kann.*
2. *Nicht die Schneidwerkklänge berühren.*
 - *Im Papierauslaßschlitz befindet sich ein Schneidwerk. Niemals die Hände in den Auslaßschlitz stecken, nicht nur während des Druckbetriebs sondern auch wenn der Drucker nicht arbeitet.*

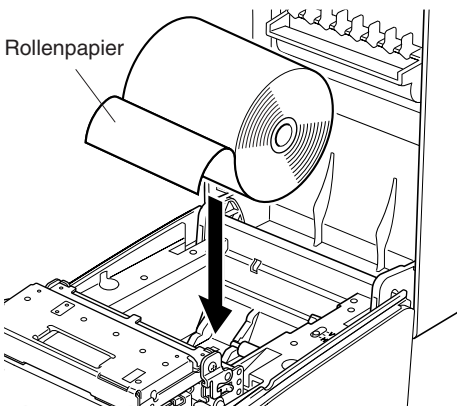
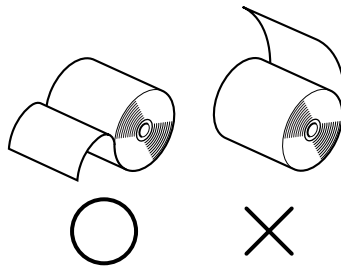


Abb. 5-13 Einlegen von Papier

- ② Schneiden Sie die Vorderkante des Rollenpapiers in einer geraden Linie ab.
- ③ Bestätigen Sie, daß der Drucker eingeschaltet ist.
- ④ Unter Beachtung der Richtung des Rollenpapiers das Rollenpapier in die Vertiefung setzen, wie in Abbildung 5-13 gezeigt.



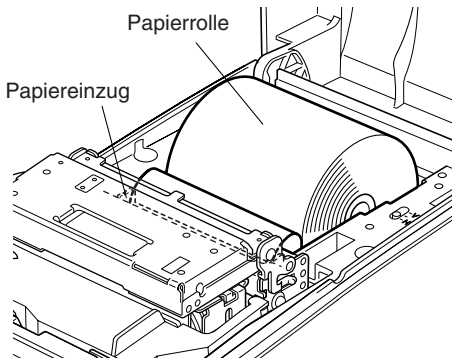


Abb. 5-14 Einlegen des Papiers

⑤ Die Papierkante in den Papierein-
zug setzen (schwarzes Plastikteil).
Wenn richtig eingesetzt, läuft die
Papierkante durch den Schlitz des
automatischen Papierabschneiders.
Das Papier wird einmal abgeschnit-
ten.

⑥ Abgeschnittenes Papier entfernen
und Druckerabdeckung schließen.

Hinweis: Wenn die Papierende-
Markierung auf dem Pa-
pier erscheint, das Rollen-
papier ersetzen, bevor es
verbraucht ist.

5-3. Einsetzen der Papierrollenführung

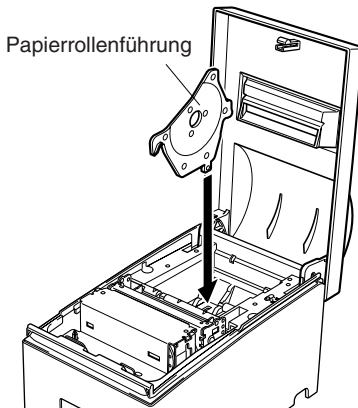


Abb. 5-15 Einsetzen der
Papierrollenführung

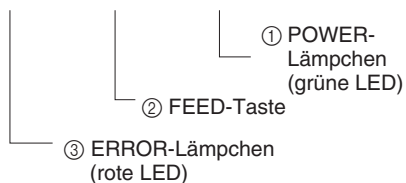
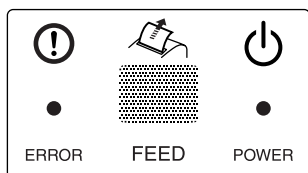
Bei Verwendung einer Papierrolle mit
einer Breite von 58 mm die mitgeliefer-
te Papierrollenführung in die Rille im
Drucker setzen.

Die Einstellung für Memory Switch
2-A und 2-B muß zur Änderung der
Druckbreite von 63 mm auf 45 mm
geändert werden.

Hinweise zur Memory-Switch-Einstel-
lung finden Sie im Programmer's Ma-
nual (Programmierhandbuch).

6. Bedienfeld und andere Funktionen

6-1. Bedienfeld



- ① POWER-Lämpchen (grüne LED)
Leuchtet in eingeschaltetem Zustand
- ② FEED-Taste
Die FEED-Taste drücken, um das Rollenpapier vorzutransportieren.
- ③ ERROR-Lämpchen (rote LED)
Zeigt in Kombination mit dem POWER-Lämpchen verschiedene Fehlerzustände an

6-2. Standardanzeigen

	POWER-Lämpchen	ERROR-Lämpchen	Summer
Netz ein/aus	Ein/Aus	—	—
Online	Ein	Aus	—
Offline	Aus	Aus	—

DEUTSCH

6-3. Fehler

1) Behebbarer Fehler

Fehlerbeschreibung	POWER-Lämpchen	ERROR-Lämpchen	Summer	Behebungsbedingungen
Papierende	Ein	Ein	4 kurze Töne (0,13 s) zweimal wiederholt	*1
Warten auf Online-Status nach Papiereinstellung	Blinkt (Ein: 0,25 s / Aus: 0,25 s)	Aus	kein Ton	*2
Papierrollenende fast erreicht	Ein	Blinkt (Ein: 2 s / Aus: 2 s)	2 kurze Töne (0,13 s) zweimal wiederholt (bei Druckerstatus offline)	*3
Erkennung hoher Kopftemperatur	Blinkt (Ein: 1 s / Aus: 1 s)	Aus	kein Ton	*4
Erkennung hoher Board-Temperatur	Blinkt (Ein: 2 s / Aus: 2 s)	Aus	kein Ton	*5
Schneidwerkfehler (nur Modelle mit Schneidwerk)	Ein	Blinkt (Ein: 0,125 s / Aus: 0,125 s)	3 kurze Töne (0,13 s + 0,13 s + 0,5 s)	*6
Mechanischer Fehler (andere als Schneidwerk)	Ein	Blinkt (Ein: 0,25 s / Aus: 0,25 s)	2 kurze Töne (0,13 s + 0,5 s)	*7
Schwarze Markierung nicht erkannt	Ein	Blinkt (Ein: 0,5 s / Aus: 0,5 s)	2 kurze Töne (0,13 s + 0,13 s + 0,13 s)	*8

*1 Nach dem Einlegen von Papier in die Papierführung lädt der Drucker das Papier automatisch. Achten Sie darauf, daß das POWER-Lämpchen blinkt und drücken Sie dann die FEED-Taste.

*2 Drücken Sie die FEED-Taste.

*3 Ein Fehler wird im STAR-Modus angezeigt, aber der Druckvorgang wird ohne Stoppen fortgesetzt. Ist kein Papier vorhanden, wird der Papierendefehler angezeigt. Folgen Sie zur Behebung die Schritte in den Behebungsbedingungen *1.

Vorgänge im ESC/POS-Modus werden durch den Befehl <ESC> “c4” n bestimmt.

Mit anderen Worten: Setzen Sie Papier in den Drucker ein und vergewissern Sie sich, daß das POWER-Lämpchen blinkt und drücken nach Beendigung des Druckens – sofern der Parameter auf “Druck beenden” eingestellt worden ist – die FEED-Taste.

*4 Nach Abkühlen des Druckkopfes wird der Fehler automatisch behoben. Ein Druckkopf-Temperaturfehler ist nicht ungewöhnlich.

*5 Nach Abkühlen des Boards wird der Fehler automatisch behoben.

*6 Nach dem Aus- und Wiedereinschalten des Druckers und der Rückkehr des Schneidwerkes in die Grundstellung wird der Fehler automatisch behoben. Die Wiederherstellung ist im ESC/POS-Modus auch mit dem Befehl <DLE> <ENQ> n möglich.

Hinweis

- 1) Kehrt das Schneidwerk nicht in die Grundstellung zurück oder führt die Anfangsbewegung nicht aus, ist keine Behebung möglich.
- 2) Bei Papierstau den Drucker ausschalten, Papierstau beheben und dann wieder einschalten.
- 3) Wenn der Fehler auftritt,
STAR-Modus: Nicht behebbare Fehler
ESC/POS-Modus: Behebbarer Fehler

*7 Drucker ausschalten, Papierstau oder anderen Fehler beheben und Drucker wieder einschalten. Der Fehler wird automatisch behoben wenn der Druckkopf nach dem Aus- und Wiedereinschalten in die Ausgangsstellung zurückkehrt.

Die Wiederherstellung ist im ESC/POS-Modus auch mit dem Befehl <DLE> <ENQ> n möglich.

Wenn der Fehler auftritt,

STAR-Modus: Nicht behebbare Fehler

ESC/POS-Modus: Behebbarer Fehler

*8 Bei Papierstau:

Gestautes Papier entfernen und die Papierrolle bei Bedarf ersetzen.

Bei falschem Papierformat:

Die Papierrolle mit einer Papierrolle ersetzen, die eine richtige schwarze Markierung hat.

2) Nicht behebbare Fehler

Fehlerbeschreibung	POWER-Lämpchen	ERROR-Lämpchen	Summer
Thermistorfehler	Aus	Blinkt (Ein: 0,25 s/ Aus: 0,25 s)	2 kurze Töne (0,13 s + 0,5 s)
Flash-Speicher-Schreibfehler	Aus	Blinkt (Ein: 1 s/Aus: 1 s)	kein Ton
RAM-Schreib-/Lesefehler	Aus	Ein	kein Ton
Stromversorgungsfehler	Aus	Blinkt (Ein: 2 s/Aus: 2 s)	kein Ton
CPU-Fehler	Aus	Ein	langer Ton (2 s)

Hinweis

Wenn ein nicht behebbare Fehler auftritt, den Drucker ausschalten, mindestens 10 Sekunden warten und das Gerät wieder einschalten. Wird der nicht behebbare Fehler immer noch angezeigt, wenden Sie sich zur Reparatur bitte an den Kundendienst.

6-4. Einstellungsmodus

Es stehen die folgenden vier Einstellungsmodi zur Verfügung.
Durch Einschalten des Geräts bei gleichzeitigem Drücken der FEED-Taste wird der Einstellungsmodus aktiviert.

Der Selbstdruckmodus wird durch Loslassen der FEED-Taste nach einmaligem Ertönen des Summers aufgerufen.



(Weiter länger als 2 Sekunden drücken)

Der Punktausrichtungsmodus kann durch Loslassen der FEED-Taste nach zweimaligem Ertönen des Summers aufgerufen werden.
(siehe Appendix G)



(Weiter länger als 2 Sekunden drücken)

Der Hexadezimaldruckmodus wird durch Loslassen der FEED-Taste nach dreimaligem Ertönen des Summers aufgerufen.



(Weiter länger als 2 Sekunden drücken)

Der Sensorausrichtungsmodus (Black Mark Sensor Alignment Mode) wird durch Loslassen der FEED-Taste nach viermaligem Ertönen des Summers aufgerufen.
(siehe Appendix H)



Ertönt der Summer fünfmal oder mehr, das Gerät sofort ausschalten, da der Einstellungsmodus abgebrochen wird.

6-4-1. Selbstdruckmodus

Der Selbstdruck wird entsprechend der VER.NO., Memory-Switch- und DIP-Schaltereinstellung sowie der Zeichenfolge ausgeführt. Wenn die Taste FEED kontinuierlich gedrückt gehalten wird oder wenn FEED am Ende des Selbstdrucks gedrückt wird, werden nur die Zeichen wiederholt ausgedruckt.

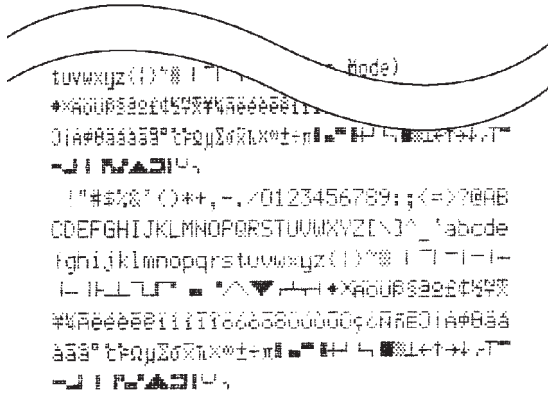
*** 55

Memory Switch

FEDCBA9876543210 HEX.

<0> 0000000000000000 0000
<1> 0000000000000000 0000
<2> 0000000000000000 0000
<3> 0000000000000000 0000
<4> 0000000000000000 0000
<5> 0000000000000000 0000
<6> 0000000000000000 0000
<7> 0000000000000000 0000

<0> 4 = Model : Standard
<1> 4 = Zero Style : Normal Zero
<2> A = Print Width : Wide
<2> 0-1 = NE Sensor : Unmounting



DEUTSCH

6-4-2. Sedezimale Datenausgabe

Bei diesem Befehle werden alle Codes (Zeichencodes und Steuerodes), die vom Computer zum Drucker gesandt werden, in sedezimaler Form ausgedruckt.

Der sedezimale Datenausdruck ist nützlich, um zu prüfen, ob vom Drucker ausgegebene Steuerodes richtig sind. Die letzte Zeile wird nicht ausgedruckt, wenn sie nicht vollständig mit Daten gefüllt ist. Wenn die Taste FEED gedrückt wird, um den Drucker auf off-line zu stellen, wird die letzte Zeile aber gedruckt. Um diesen Modus zu beenden, muß der Drucker einmal ausgeschaltet werden.

```
//// Hexadecimal Dump ////  
  
00 01 02 03 04 05 06 07      .....  
08 09 0A 0B 0C 0D 0E 0F      .....  
10 11 12 13 14 15 16 17      .....  
18 19 1A 1B 1C 1D 1E 1F      .....  
20 21 22 23 24 25 26 27      !"#$%&'?  
28 29 2A 2B 2C 2D 2E 2F      ()*+,-./  
30 31 32 33 34 35 36 37      01234567  
38 39 3A 3B 3C 0A           89:;<.
```


INDICE

1. Descrizione	79
2. Disimballaggio e installazione	80
2-1. Disimballaggio	80
2-2. Collocazione della stampante	81
2-3. Precauzioni per l'uso	81
2-4. Manutenzione	81
3. Identificazione delle parti e nomenclatura	82
4. Cavi di collegamento e cavo di alimentazione	84
4-1. Collegamento del cavo interfaccia	84
4-2. Collegamento ad un'unità periferica	85
4-3. Collegamento del cavo di alimentazione opzionale	86
4-4. Accensione	87
4-5. Installazione del coperchio posteriore	87
4-6. Installazione del cavo	88
4-7. Installazione mascherina dell'interruttore	89
5. Inserimento della cartuccia nastro e della carta	90
5-1. Modello con barra di strappo	90
5-2. Modello con taglierina automatica	93
5-3. Installazione del guida del rotolo di carta	96
6. Pannello di controllo e altre funzioni	97
6-1. Pannello di controllo	97
6-2. Indicatori di base	97
6-3. Errori	98
6-4. Modalità regolazione	100
APPENDICE	104

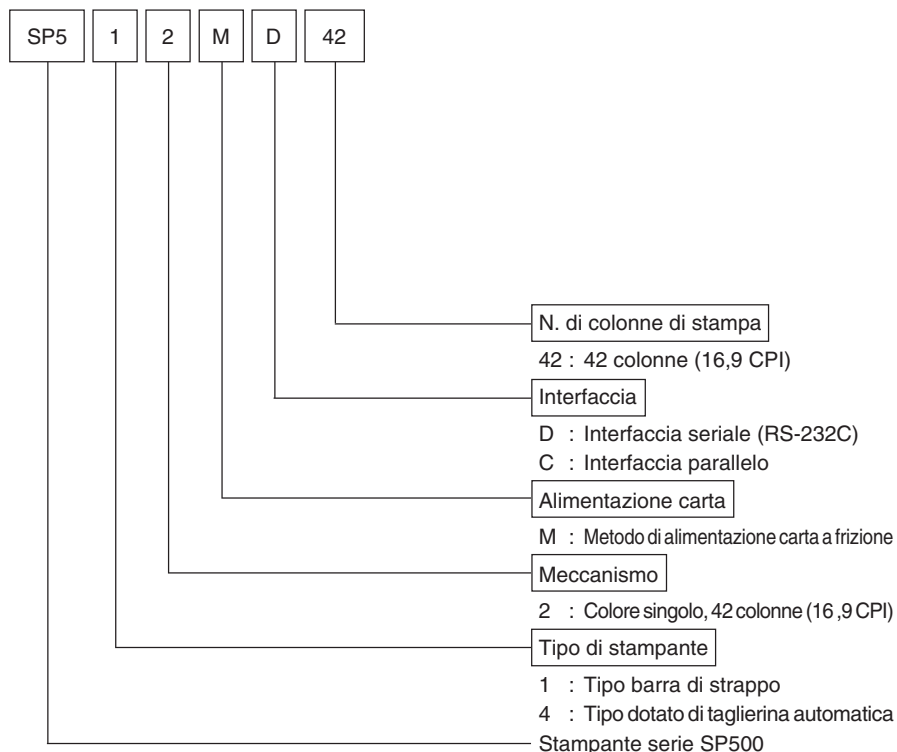
L'Appendice appare solo nella sezione in inglese di questo manuale.

1. Descrizione

La stampante seriale a matrice di impunti a impatto SP500 è stata progettata per l'uso con strumenti elettronici come POS, apparecchiature bancarie, periferiche computer, ecc.

Le principali caratteristiche della serie SP500 sono come segue:

1. Stampa bidirezionale a circa 4 righe/sec.
2. Interfaccia seriale o interfaccia parallelo
3. Buffer dati per la ricezione di dati di stampa anche durante la stampa
4. Circuito di pilotaggio unità periferiche per controllare dispositivi esterni come registri di cassa.

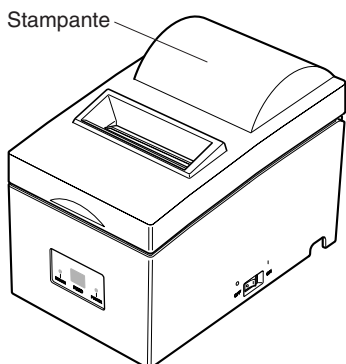


2. Disimballaggio e installazione

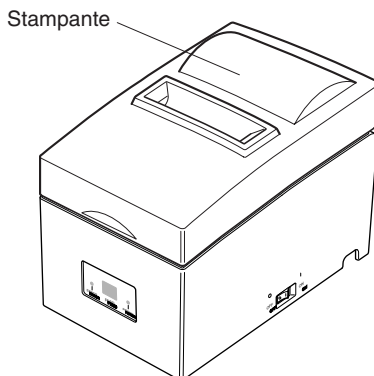
2-1. Disimballaggio

Dopo aver disimballato l'unità, controllare che tutti gli accessori necessari siano inclusi nella confezione.

Modello con barra di strappo



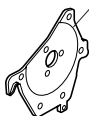
Modello con taglierina automatica



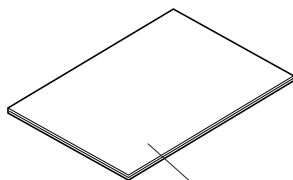
Cartuccia nastro



Guida del rotolo di carta



Coperchio posteriore



Cavo di alimentazione



Mascherina interruttore



Fig. 2-1 Disimballaggio

Se dovesse mancare qualcosa, contattare il concessionario da cui si è acquistata la stampante e richiedere la parte mancante. Notare che è consigliabile conservare lo scatolone originale e tutti i materiali di imballaggio in caso si debba reimballare e spedire la stampante in futuro.

2-2. Collocazione della stampante

Quando si colloca la stampante, tenere presenti le seguenti considerazioni:

1. Proteggere la stampante da calore eccessivo come luce solare diretta o caloriferi e tenerla lontana da umidità e polvere.
2. Collocare la stampante su una superficie stabile e piana che non sia soggetta a vibrazioni.
3. Collegare alla stampante una fonte di alimentazione stabile che non sia soggetta a picchi.
Per esempio non collegarla sullo stesso circuito di apparecchiature grandi che producono disturbi, come frigoriferi o condizionatori d'aria.
4. Assicurarsi che la tensione della linea corrisponda alla tensione specificata sulla piastrina di identificazione della stampante.
5. Per scollegare la stampante, scollegare la spina dalla presa di corrente, che si deve trovare vicino alla stampante e in un luogo facilmente accessibile.

2-3. Precauzioni per l'uso

1. Fare attenzione a non lasciar cadere graffette, spilli e altri oggetti estranei nell'unità perché potrebbero causare problemi di funzionamento.
2. Non tentare di stampare quando la carta o la cartuccia nastro non sono inserite nella stampante, altrimenti la testina di stampa potrebbe essere danneggiata.
3. Non aprire il coperchio durante la stampa.
4. Non toccare la testina di stampa immediatamente dopo la stampa perché scotta.
5. Usare solo carta in rotoli che non è incollata all'anima di cartone.
6. Quando il segno di fine carta appare sulla carta, sostituire il rotolo di carta prima che finisca.

2-4. Manutenzione

La stampante è fondamentalmente robusta, ma deve essere trattata con una certa cura per evitare problemi di funzionamento. Per esempio:

1. Tenere la stampante in un ambiente "confortevole". In parole povere, se l'ambiente è confortevole per le persone sarà adatto anche per la stampante.
2. Non esporre la stampante a urti o vibrazioni eccessive.
3. Evitare ambienti troppo polverosi. La polvere è il nemico di tutte le apparecchiature meccaniche di precisione.
4. Per pulire l'esterno della stampante usare un panno appena inumidito con acqua e un poco di detergente o di alcool, ma evitare la penetrazione di liquido nella stampante.
5. L'interno della stampante può essere pulito con un piccolo pulitore o una bombola di aria compressa (venduta a questo scopo). Quando si esegue questa operazione, assicurarsi di non piegare o danneggiare i collegamenti dei cavi o i componenti elettronici.

3. Identificazione delle parti e nomenclatura

Modello con barra di strappo

Coperchio

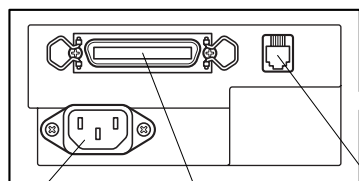
Protegge la stampante dalla polvere e riduce il rumore.
Non aprire il coperchio durante la stampa.

Pannello comandi

Dispone di un interruttore di comando e due indicatori dello stato della stampante.

Interruttore di alimentazione

Per accendere e spegnere la stampante.



Connettore dell'alimentazione

Per il collegamento del cavo di alimentazione

Connettore interfaccia

Per collegare la stampante al computer ospite.

Connettore circuito pilota per unità periferiche

Per il collegamento a unità periferiche come registri di cassa, ecc. Non collegarlo ad un telefono.

Fig. 3-1 Vista esterna della stampante (Modello con barra di strappo)

Modello con taglierina automatica

Coperchio

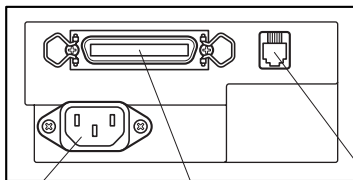
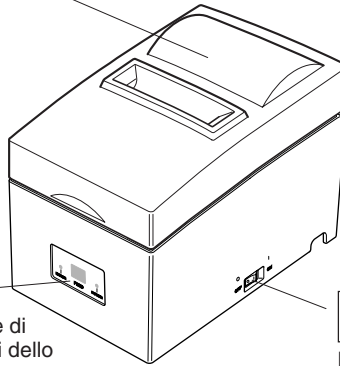
Protegge la stampante dalla polvere e riduce il rumore.
Non aprire il coperchio durante la stampa.

Pannello comandi

Dispone di un interruttore di comando e due indicatori dello stato della stampante.

Interruttore di alimentazione

Per accendere e spegnere la stampante.



Connettore dell'alimentazione

Per il collegamento del cavo di alimentazione

Connettore interfaccia

Per collegare la stampante al computer ospite.

Connettore circuito pilota per unità periferiche

Per il collegamento a unità periferiche come registri di cassa, ecc. Non collegarlo ad un telefono.

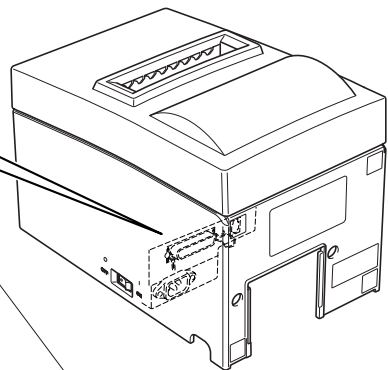


Fig. 3-2 Vista esterna della stampante (Modello con taglierina automatica)

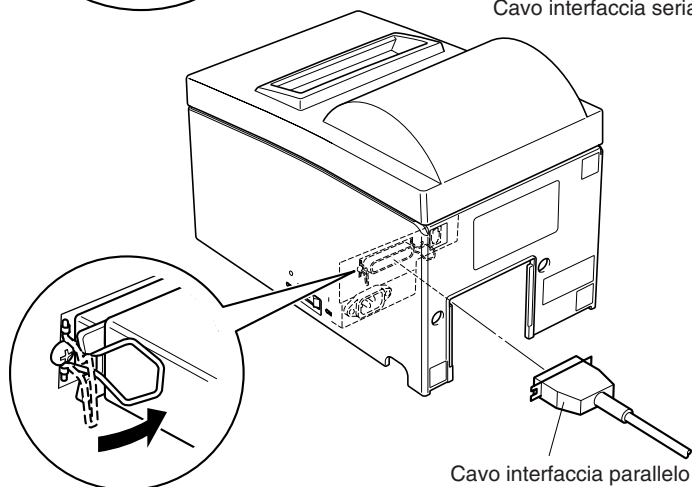
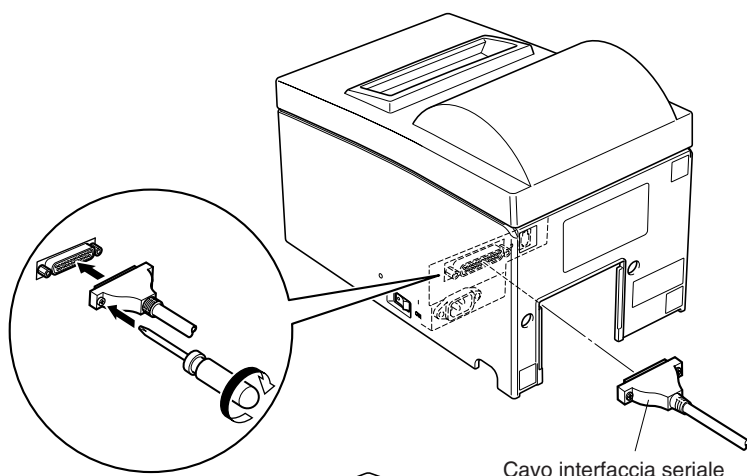
4. Cavi di collegamento e cavo di alimentazione

4-1. Collegamento del cavo interfaccia

Nota: Prima di collegare/scollegare il cavo interfaccia, assicurarsi che la stampante e tutti i dispositivi collegati alla stampante siano spenti.

Inoltre assicurarsi che la spina del cavo di alimentazione sia scollegata dalla presa di corrente.

- (1) Collegare il cavo interfaccia al connettore sul pannello posteriore della stampante.
- (2) Nel caso di un'interfaccia seriale, serrare le viti del connettore. Nel caso di un'interfaccia parallelo, fissare i morsetti del connettore.



4-2. Collegamento ad un'unità periferica

Si può collegare un'unità periferica alla stampante usando una spina modulare. Di seguito descriviamo come installare l'anello di ferrite ed eseguire il collegamento. Vedere "Modulare necessario" a pagina 115 per dettagli sul tipo di spina modulare necessario. Notare che la stampante non è dotata di spina o filo modulare, che devono essere acquistati in base alle esigenze di impiego.

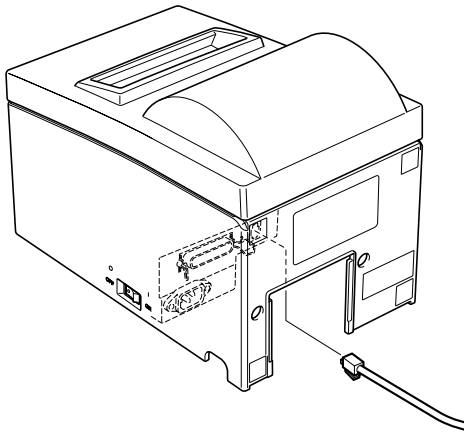
Importante!

Assicurarsi che la stampante sia spenta e scollegata dalla presa di corrente e che il computer sia spento prima di eseguire il collegamento.

(1) Collegare il cavo di controllo periferiche al connettore sul pannello posteriore della stampante.

Importante!

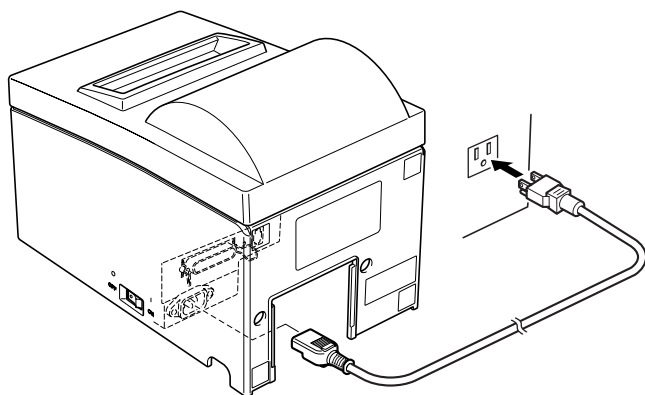
Non collegare una linea telefonica al connettore di controllo esterno. Altrimenti si potrebbero avere danni alla stampante. Inoltre, per ragioni di sicurezza, non collegare fili al connettore di controllo esterno, perché se ci sono cambiamenti potrebbero condurre una tensione eccessiva.



4-3. Collegamento del cavo di alimentazione opzionale

Nota: Prima di collegare/scollegare il cavo di alimentazione, assicurarsi che la stampante e tutti i dispositivi collegati alla stampante siano spenti. Inoltre assicurarsi che la spina del cavo di alimentazione sia scollegata dalla presa di corrente.

- (1) Controllare l'etichetta sul retro o sotto alla stampante per accertarsi che la tensione corrisponde alla presa della corrente alternata. Inoltre, verificare che la spina del cavo di alimentazione corrisponde alla presa della corrente alternata.
- (2) Se il cavo di alimentazione non è collegato alla stampante, collegare l'estremità appropriata nella presa della corrente alternata sul retro della stampante.
- (3) Collegare il cavo di alimentazione in una presa di corrente alternata messa a terra correttamente.



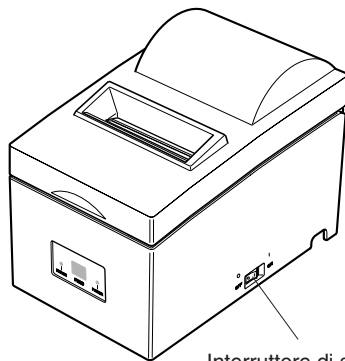
Importante!

Se la tensione mostrata sull'etichetta della stampante non corrisponde alla tensione disponibile nella propria zona, contattare immediatamente il rivenditore.

4-4. Accensione

Assicurarsi che il cavo di alimentazione sia stato collegato come indicato nella sezione 4-3.

- (1) Regolare su ON l'interruttore di alimentazione situato lato destro della stampante. La spia POWER sul pannello di controllo si illumina.



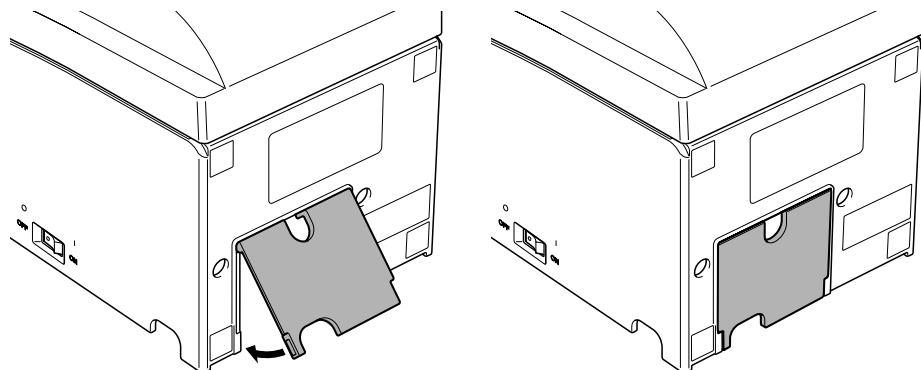
Interruttore di alimentazione

Importante!

Consigliamo di scollegare la stampante dalla presa di corrente quando si prevede di non usarla per un lungo periodo. Per questo motivo, la stampante deve essere collocata in modo che la presa di corrente sia vicina e facilmente accessibile.

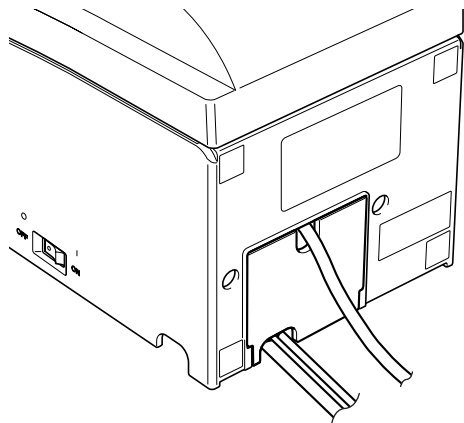
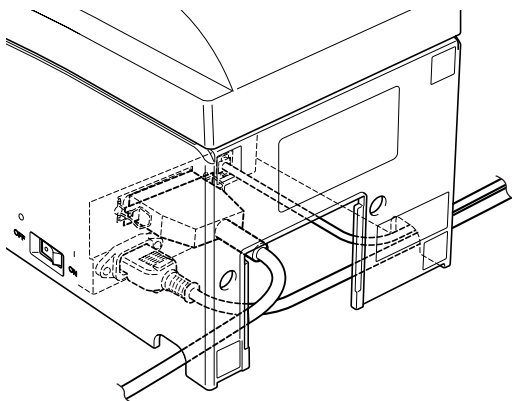
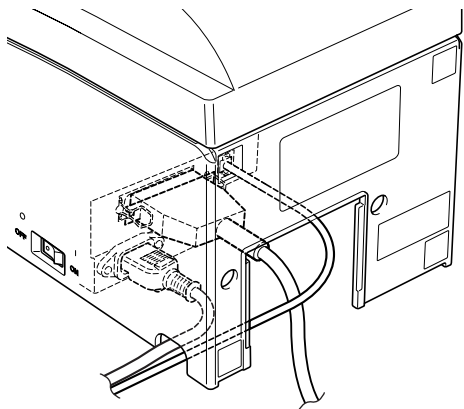
4-5. Installazione del coperchio posteriore

Eventualmente, installare il coperchio posteriore



4-6. Installazione del cavo

Installare il cavo come mostrato nello schema sotto.

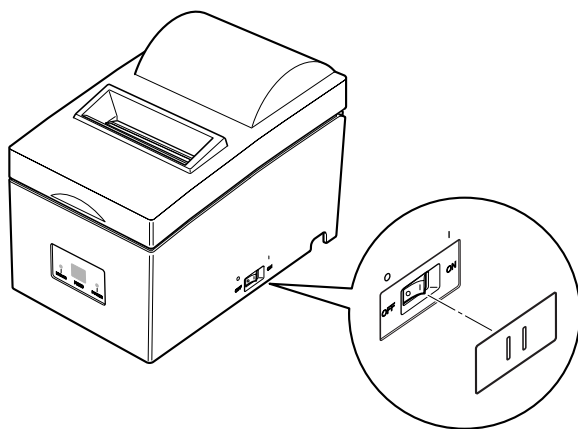


4-7. Installazione mascherina dell'interruttore

Non è necessario installare la mascherina dell'interruttore. Installarla solo se lo si ritiene necessario. Una volta installata la mascherina dell'interruttore, è possibile quanto segue.

- Impedire l'azionamento per errore dell'interruttore di alimentazione.
- Impedire ad altre persone di azionare facilmente l'interruttore di alimentazione.

Installare la mascherina dell'interruttore come mostrato nello schema sotto.



L'interruttore dell'alimentazione può essere portato sulla posizione ON (I) e OFF (O) inserendo un oggetto stretto (una penna a sfera, etc.) nei fori della mascherina dell'interruttore.

Importante!

Consigliamo di scollegare la stampante dalla presa di corrente quando si prevede di non usarla per un lungo periodo. Per questo motivo, la stampante deve essere collocata in modo che la presa di corrente sia vicina e facilmente accessibile.

5. Inserimento della cartuccia nastro e della carta

5-1. Modello con barra di strappo

5-1-1. Inserimento della cartuccia nastro

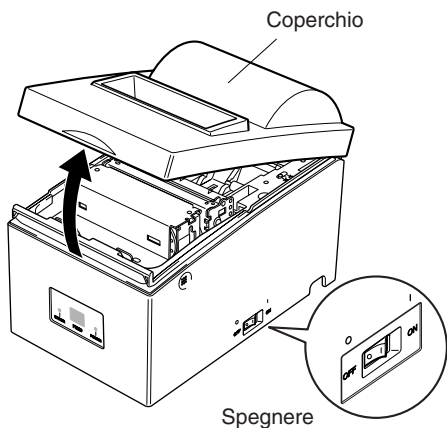


Fig. 5-1 Rimozione del coperchio

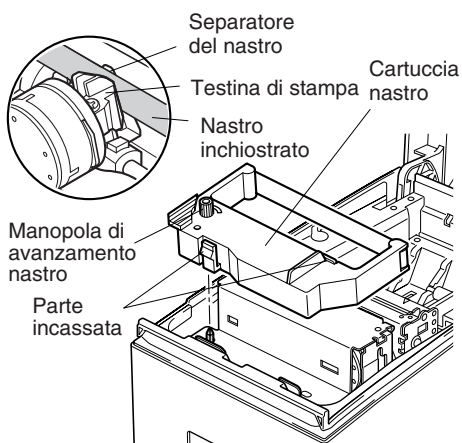


Fig. 5-2 Inserimento della cartuccia nastro

- ① Spegner la stampante.
- ② Aprire il coperchio.

Importante!

1. Non toccare la testina di stampa subito dopo la stampa perché può essere molto calda.
2. Non toccare la lama della tagliarina.
 - All'interno della fessura di uscita carta si trova una tagliarina. Non mettere mai la mano nella fessura di uscita della carta durante la stampa e non mettere mai la mano nella fessura anche quando la stampa non è in corso.

- ③ Inserire la cartuccia nastro nella direzione mostrata nella Fig. 5-2 e premerla in basso per caricarla. Se il caricamento della cartuccia nastro non è soddisfacente, premere in basso la cartuccia nastro girando la manopola di avanzamento nastro in direzione della freccia.
- ④ Girare la manopola di avanzamento nastro della cartuccia nastro in direzione della freccia per eliminare l'allentamento del nastro.
- ⑤ Chiudere il coperchio.

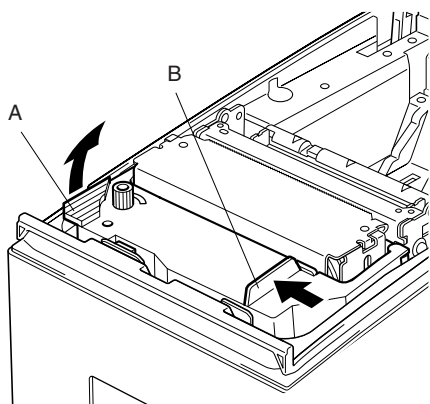


Fig. 5-3 Rimuovere la cartuccia del nastro

5-1-2. Inserimento della carta

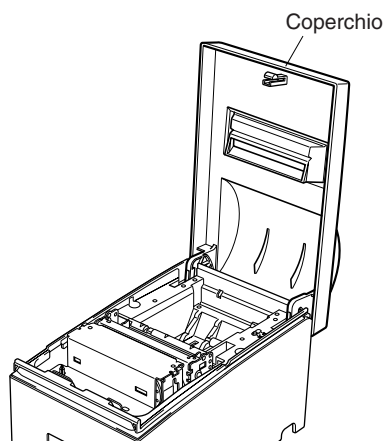


Fig. 5-4 Rimozione del coperchio

Nota: Quando si rimuove la cartuccia nastro, sollevare la parte A e quindi rimuovere la cartuccia tenendo la parte B come mostrato nella Fig. 5-3.

- ① Aprire il coperchio.

Importante!

1. *Non toccare la testina di stampa subito dopo la stampa perché può essere molto calda.*
2. *Non toccare la lama della taglierina.*
 - *All'interno della fessura di uscita carta si trova una taglierina. Non mettere mai la mano nella fessura di uscita della carta durante la stampa e non mettere mai la mano nella fessura anche quando la stampa non è in corso.*

- ② Tagliare perpendicolarmente l'estremità iniziale della carta del rotolo.
- ③ Verificare che la stampante sia accesa.

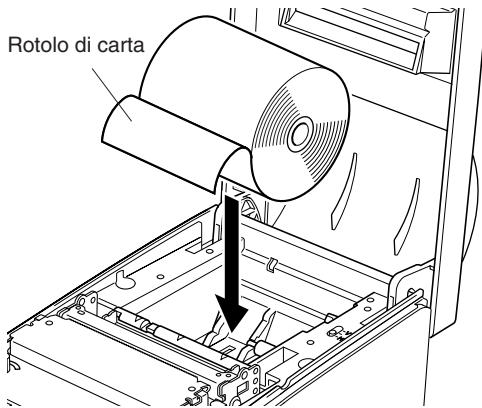


Fig. 5-5 Inserimento della carta

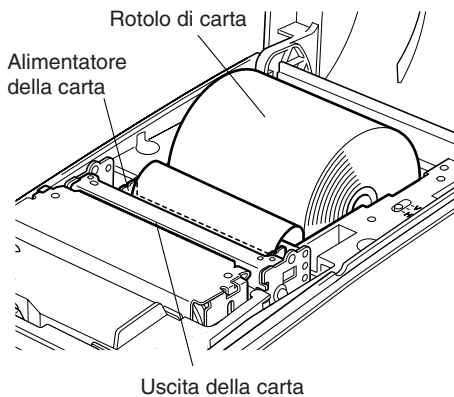
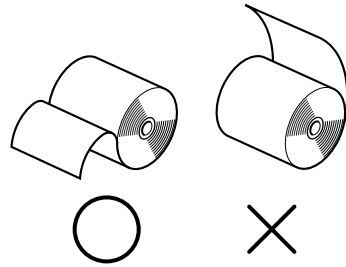


Fig. 5-6 Inserimento della carta

- ④ Osservando l'orientamento del rotolo, collocare il rotolo di carta nel vano come mostrato in Fig.5-5.



- ⑤ Inserire il bordo della carta nell'alimentatore della carta (parte di plastica nera). Se è inserito correttamente, il bordo della carta passa attraverso l'uscita della carta.
- ⑥ Inserire l'estremità superiore della carta nella fessura della barra di strappo e quindi montare il coperchio con il procedimento inverso di quello usato per aprire il coperchio al punto ① sopra.

Nota: Quando il segno di fine carta appare sulla carta, sostituire il rotolo di carta prima che finisca.

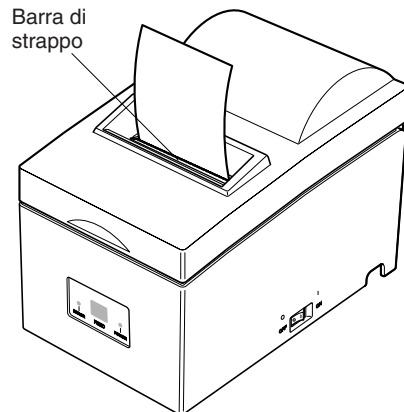


Fig. 5-7

5-2. Modello con taglierina automatica

5-2-1. Inserimento della cartuccia nastro

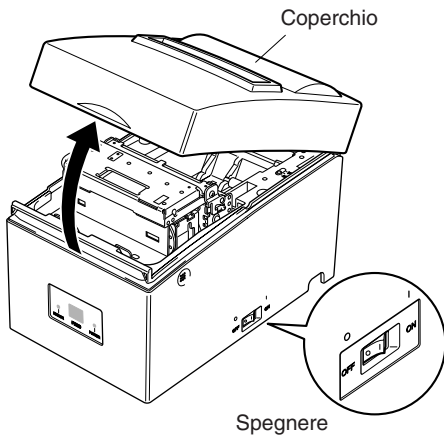


Fig. 5-8 Aprire il coperchio

- ① Spegner la stampante.
- ② Aprire il coperchio.

Importante!

1. Non toccare la testina di stampa subito dopo la stampa perché può essere molto calda.
2. Non toccare la lama della taglierina.
 - All'interno della fessura di uscita carta si trova una taglierina. Non mettere mai la mano nella fessura di uscita della carta durante la stampa e non mettere mai la mano nella fessura anche quando la stampa non è in corso.

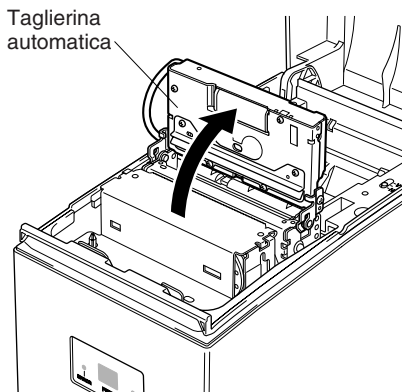
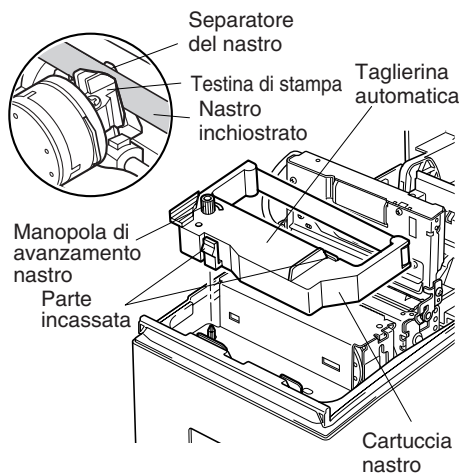


Fig. 5-9 Sollevamento della taglierina automatica

- ③ Sollevare la taglierina automatica e collocarla in posizione verticale, come mostrato nella Fig. 5-9.



- ④ Inserire la cartuccia nastro nella direzione mostrata nella Fig. 5-10 e premerla in basso per caricarla. Se il caricamento della cartuccia nastro non è soddisfacente, premere in basso la cartuccia nastro girando la manopola di avanzamento nastro in direzione della freccia.
- ⑤ Girare la manopola di avanzamento nastro della cartuccia nastro in direzione della freccia per eliminare l'allentamento del nastro.
- ⑥ Chiudere la taglierina automatica.
- ⑦ Chiudere il coperchio.

Fig. 5-10 Inserimento della cartuccia nastro

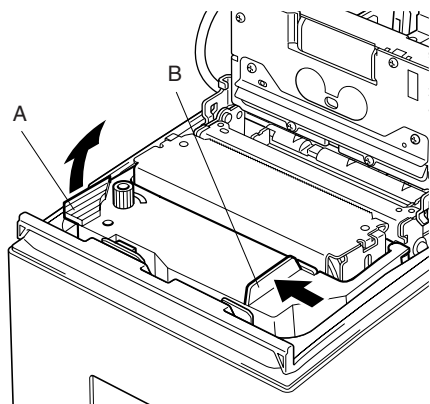


Fig. 5-11 Rimuovere la cartuccia del nastro

Nota: Quando si rimuove la cartuccia nastro, sollevare la parte A e quindi rimuovere la cartuccia tenendo la parte B come mostrato nella Fig. 5-11.

5-2-2. Inserimento della carta

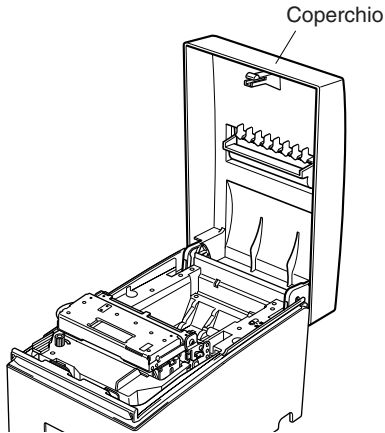


Fig. 5-12 Rimozione del coperchio

- ① Aprire il coperchio.

Importante!

1. *Non toccare la testina di stampa subito dopo la stampa perché può essere molto calda.*
2. *Non toccare la lama della taglierina.*
 - *All'interno della fessura di uscita carta si trova una taglierina. Non mettere mai la mano nella fessura di uscita della carta durante la stampa e non mettere mai la mano nella fessura anche quando la stampa non è in corso.*

- ② Tagliare perpendicolarmente l'estremità iniziale della carta del rotolo.
- ③ Verificare che la stampante sia accesa.
- ④ Osservando l'orientamento del rotolo, collocare il rotolo di carta nel vano come mostrato in Fig.5-13.

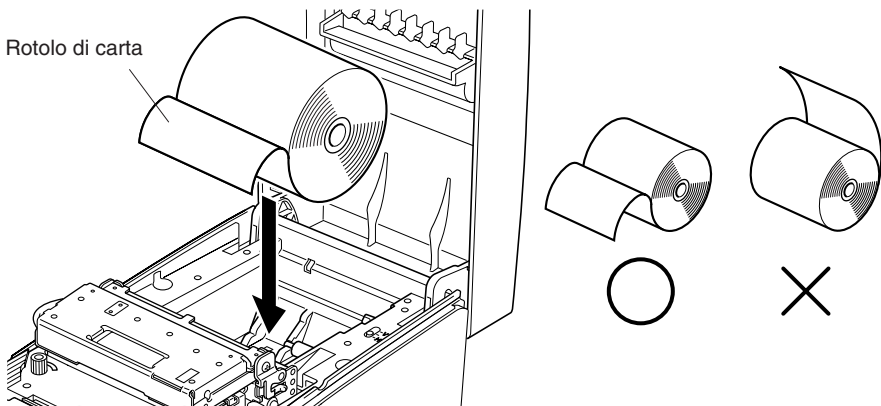


Fig. 5-13 Inserimento della carta

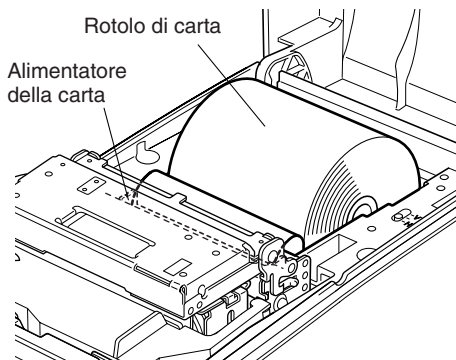


Fig. 5-14 Inserimento della carta

- ⑤ Inserire il bordo della carta nell'alimentatore carta (parte di plastica nera). Se è inserito correttamente, il bordo della carta passa attraverso la fessura carta della taglierina automatica. La carta viene tagliata una volta.
- ⑥ Rimuovere la punta di taglio e chiudere il coperchio.

Nota: Quando il segno di fine carta appare sulla carta, sostituire il rotolo prima che finisca.

5-3. Installazione del guida del rotolo di carta

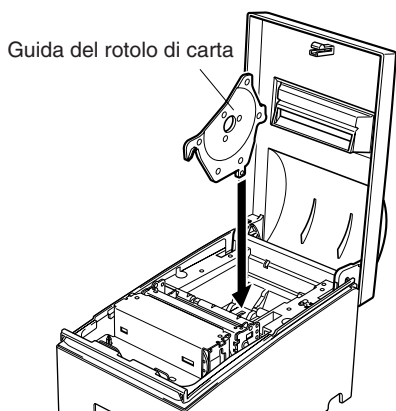


Fig. 5-15 Installazione del guida del rotolo di carta

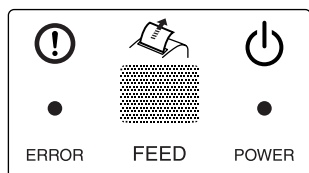
Quando si usa un rotolo di carta della larghezza di 58 mm, installare il guida del rotolo di carta fornito nella scanalatura sulla stampante.

Per modificare la larghezza di stampa da 63 mm a 45 mm, è necessario modificare l'impostazione per il commutatore della memoria 2-A e 2-B.

Per le istruzioni sull'impostazione relativa al commutatore della memoria, fare riferimento al Manuale del programmatore fornito separatamente.

6. Pannello di controllo e altre funzioni

6-1. Pannello di controllo



- ① Spia POWER (LED verde)
(LED verde)
- ② Tasto FEED
- ③ Spia ERROR (LED rosso)
(LED rosso)

- ① Spia POWER (LED verde)
Si illumina quando l'unità è accesa.
- ② Tasto FEED
Premere il tasto FEED per far avanzare la carta su rotolo.
- ③ Spia ERROR (LED rosso)
Indica vari errori in combinazione con la spia POWER.

6-2. Indicatori di base

	Spia POWER	Spia ERROR	Cicalino
Alimentazione On/Off	On/Off	—	—
In linea	On	Off	—
Fuori linea	Off	Off	—

6-3. Errori

1) Errore ripristinabile

Descrizione errore	Spia POWER	Errore spia	Cicalino	Condizioni di ripristino
Errore arresto carta	On	On	4 bip brevi (0,13 sec.) ripetuti due volte	*1
Attesa ripristino stato online dopo l'impostazione della carta	Lampeggia (Off: 0,25 sec./Off: 0,25 sec.)	Off	Nessuno	*2
Errore carta quasi esaurita	On	Lampeggia (On: 2 sec./ Off: 2 sec.)	2 bip brevi (0,13 sec.) ripetuti due volte (quando la stampante è off line)	*3
Rilevamento temperatura elevata testina	Lampeggia (Off: 1 sec./Off: 1 sec.)	Off	Nessuno	*4
Rilevamento temperatura elevata scheda	Lampeggia (On: 2 sec./Off: 2 sec.)	Off	Nessuno	*5
Errore taglierina (nei modelli con la taglierina)	On	Lampeggia (On: 0,125 sec./Off: 0,125 sec.)	3 bip brevi (0,13 sec. + 0,13 sec. + 0,5 sec.)	*6
Errore meccanico (tranne errore taglierina)	On	Lampeggia (On: 0,25 sec./Off: 0,25 sec.)	2 bip brevi (0,13 sec. + 0,5 sec.)	*7
Errore di rilevamento segno nero	On	Lampeggia (On: 0,5 sec./Off: 0,5 sec.)	2 bip brevi (0,13 sec. + 0,13 sec. + 0,13 sec.)	*8

*1 Una volta inserita la carta nell'apposita fessura, la stampante carica la carta automaticamente.

Verificare che la spia POWER lampeggia e quindi premere il tasto FEED.

*2 Premere il tasto FEED.

*3 Un errore viene visualizzato nella modalità STAR, ma la stampa continua senza fermarsi. Se la carta non è disponibile, la carta si arresta e viene visualizzato l'errore. Per ripristinare l'errore, attenersi ai passaggi contenuti in Condizioni di ripristino*1.

I funzionamenti nella modalità ESC/POS sono determinati dal comando <ESC> "c4" n.

In altre parole, impostare la carta nella stampante e verificare che la spia POWER lampeggia, quindi premere il tasto FEED una volta arrestata la stampa, se il parametro è stato impostato per fermare la stampa.

*4 La stampante viene ripristinata automaticamente una volta che la testina di stampa si è raffreddata.

Un errore di temperatura nella testina di stampa non è anormale.

*5 La stampante viene ripristinata automaticamente una volta che la scheda si è raffreddata.

- *6 La stampante viene ripristinata automaticamente se la taglierina ritorna nella posizione a riposo una volta commutata l'alimentazione tra OFF e ON. Nella modalità ESC/POS, il ripristino è anche possibile con il comando <DLE> <ENQ> n.

Nota

- 1) Se la taglierina non ritorna nella posizione a riposo, o se non esegue il movimento iniziale, non può essere ripristinata.
- 2) Se la carta è inceppata, spegnere l'alimentazione, rimuovere la carta inceppata e riaccendere l'alimentazione.
- 3) Quando si verifica l'errore
 Modalità STAR: errore non ripristinabile
 Modalità ESC/POS: errore ripristinabile

- *7 Spegnere l'alimentazione, rimuovere la carta inceppata o rimediare un altro problema e quindi riaccendere l'alimentazione. La stampante viene ripristinata automaticamente quando il carrello ritorna alla posizione di riposo una volta commutata l'alimentazione tra OFF e ON.

Il ripristino è anche possibile con il comando <DLE> <ENQ> n quando la stampante si trova nella modalità ESC/POS.

Quando si verifica l'errore

Modalità STAR: errore non ripristinabile

Modalità ESC/POS: errore ripristinabile

- *8 Per gli errori relativi alla carta inceppata:

Rimuovere la carta inceppata e eventualmente cambiare il rullo di carta. Per gli errori relativi al formato di carta errato: sostituire il rotolo di carta ed utilizzare un rotolo di carta con il segno nero corretto.

2) Errore non ripristinabile

Descrizione errore	Spia POWER	Spia ERROR	Cicalino
Guasto termistore	Off	Lampeggia (On: 0,25 sec./Off: 0,25 sec.)	2 bip brevi (0,13 sec. + 0,5 sec.)
Errore di scrittura Flash memory	Off	Lampeggia (Off: 1 sec./Off: 1 sec.)	Nessuno
Errore RAM R/W	Off	On	Nessuno
Errore alimentazione	Off	Lampeggia (On: 2 sec./Off: 2 sec.)	Nessuno
Errore CPU	Off	On	Un bip lungo (2 sec.)

Nota

Se si verifica un errore non ripristinabile, spegnere l'alimentazione, attendere almeno 10 secondi e riportare l'alimentazione su ON. Se l'errore non ripristinabile continua ad essere indicato, consultare un rivenditore per ripararlo.

6-4. Modalità regolazione

Sono disponibili le quattro modalità di regolazione seguenti.

L'apparecchio entrerà nella modalità di regolazione se viene attivato premendo l'interruttore FEED.

La modalità di Stampa automatica viene attivata rilasciando l'interruttore FEED dopo che il cicalino suona una volta.



(tenere premuto per altri 2 secondi)

La regolazione della modalità di Allineamento dei punti viene attivata rilasciando l'interruttore FEED dopo che il cicalino suona due volte.

(Fare riferimento all'appendice G.)



(tenere premuto per altri 2 secondi)

La modalità Dump esadecimale viene attivata rilasciando l'interruttore FEED dopo che il cicalino suona tre volte.



(tenere premuto per altri 2 secondi)

La modalità Allineamento sensore segno nero viene attivata rilasciando l'interruttore FEED dopo che il cicalino suona quattro volte.

(Fare riferimento all'appendice H.)



Se il cicalino suona altre cinque volte o oltre, rimuovere l'alimentazione immediatamente poiché la modalità di regolazione viene annullata.

6-4-1. Modalità stampa automatica

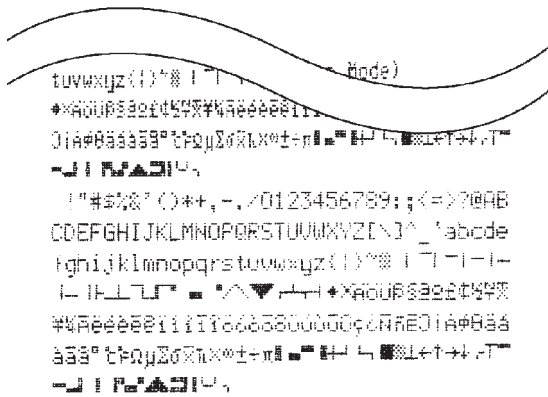
La stampa automatica viene eseguita a seconda del N. VERSIONE, dell'impostazione relativa all'interruttore della memoria, dell'impostazione relativa all'interruttore DIP e all'ordine dei caratteri. Se l'interruttore FEED viene premuto continuamente o viene premuto alla fine della stampa automatica, verranno stampati ripetutamente solo i caratteri.

*** 55

Memory Switch

	FEDCBA9876543210	HEX.
<0>	0000000000000000	0000
<1>	0000000000000000	0000
<2>	0000000000000000	0000
<3>	0000000000000000	0000
<4>	0000000000000000	0000
<5>	0000000000000000	0000
<6>	0000000000000000	0000
<7>	0000000000000000	0000

<0> 4 = Model : Standard
<1> 4 = Zero Style : Normal Zero
<2> A = Print Width : Wide
<2> 0-1 = NE Sensor : Unmounting



ITALIANO

6-4-2. Modo di scaricamento esadecimale

Ciascuno dei segnali inviati dal computer alla stampante viene stampato in codice esadecimale.

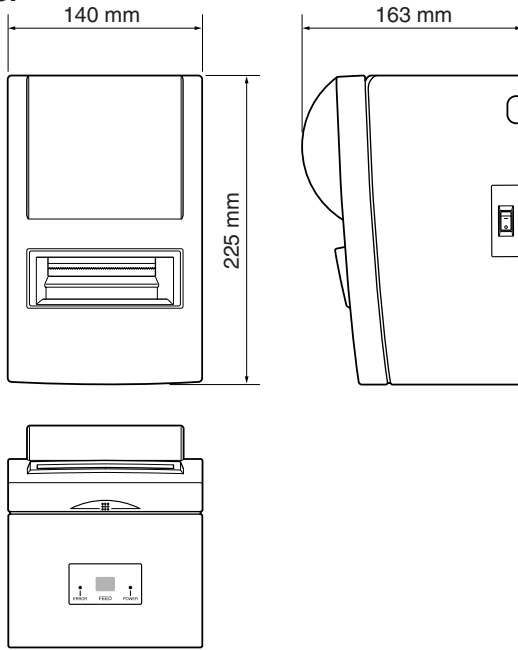
Questa funzione permette di controllare se un codice di controllo inviato alla stampante dal programma usato è corretto o meno. L'ultima riga non viene stampata se i suoi dati non consistono di una riga completa. Tuttavia, se si preme l'interruttore FEED per impostare il modo "off-line" l'ultima riga viene stampata. Per disattivare questo modo, è necessario spegnere completamente la stampante.

```
//// Hexadecimal Dump ////  
  
00 01 02 03 04 05 06 07      .....  
08 09 0A 0B 0C 0D 0E 0F      .....  
10 11 12 13 14 15 16 17      .....  
18 19 1A 1B 1C 1D 1E 1F      .....  
20 21 22 23 24 25 26 27      !"#$%&?  
28 29 2A 2B 2C 2D 2E 2F      ()*+,-./  
30 31 32 33 34 35 36 37      01234567  
38 39 3A 3B 3C 0A           89:;<.
```


Appendix A: General Specifications

Printing method:	Serial impact dot matrix
Print direction:	Bi-directional
Number of head pins:	9 wires
Number of print columns:	42 columns
Character set:	ASCII96 (characters) Extended graphics: 128 × 40 pages (Star mode) 128 × 6 pages (ESC/POS) International characters: 46 (Star mode) 37 (ESC/POS)
Font configuration	7 (Half dots) × 9 or 5 × 9
Printing width:	63 mm (210 dots)/60 mm (200 dots)/ 45 mm (150 dots)
Print speed:	Approx. 4 lines per sec.
Line spacing:	1/6-inch (default), n/144-inch (programmable by command)
Paper feed method:	Friction feed
Paper feed speed:	Approx. 140 mm/sec.
Paper specifications	
Paper type:	Ordinary bond and carbonless copy paper
Paper width:	76±0.5 mm (3.0 inches)/57.5±0.5 mm (2.25 inches)
Roll diameter:	85mm (3.35 inches) max.
Core:	12±1 mm (Inner dia.), 18±1 mm (Outer dia.) Note: Paper rolls with the end of the paper glued or taped to the paper roll core or paper rolls with the end of the paper folded can cause a paper jam. For these paper rolls, use the optional near-end sensor.
Thickness	Single: 0.07 mm to 0.10 mm Copies: Original + 2 copies (Max. 0.2 mm)
Paper cutter reliability	300,000 cut (Auto cutter model only)
Ink ribbon specifications	
Ribbon type:	Cartridge cassette
Color:	Single color (Purple or black)
Ribbon material:	Nylon 66 (#40 denier)
Ribbon life:	Purple 3,000,000 characters
Overall dimensions:	140 (W) × 225 (D) × 163 (H) mm
Weight:	Approx. 2.0 kg (Tear bar model) Approx. 2.2 kg (Auto cutter model)

Tear Bar Model



Auto Cutter Model

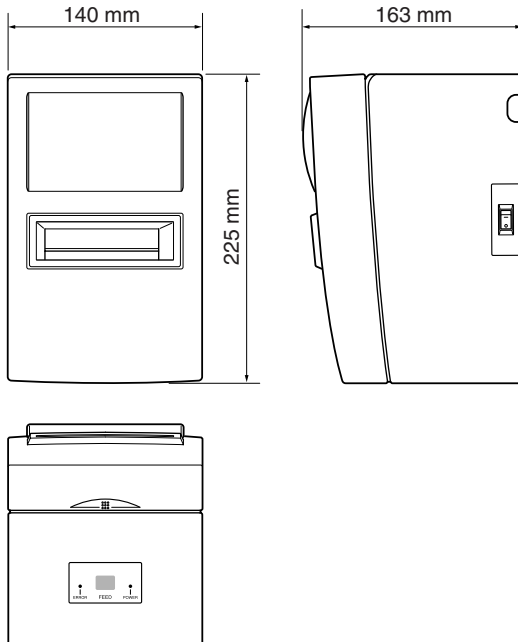


Fig. A-1 Overall dimensions (mm)

Interface

Serial interface:	RS-232C
Bidirectional parallel interface:	IEEE1284 compatibility and nibble modes
Peripheral unit drive circuit:	2 circuits (24V, max. 1A)
Ambient temperature/humidity	
Operating temperature:	0°C to +40°C
Operating humidity:	10% to 90% RH (without condensation)
Storage temperature:	-20°C to +70°C
Storage humidity:	5% to 95%RH (at 40°C, without condensation)
Mechanical Life:	9 million lines (except head life and auto cutter)
Print head life:	100 million characters

Power Supply Specifications

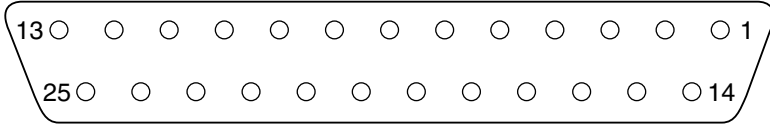
Power Supply:	
Input:	100 to 240V AC, 50/60Hz
Consumption Current:	
Operating:	Conditions: Excluding peripheral unit driving Continuous ASCII printing: 0.35 A
Stand-by:	0.12 A

Appendix B: Serial Interface

B-1. Pins and Signal Names

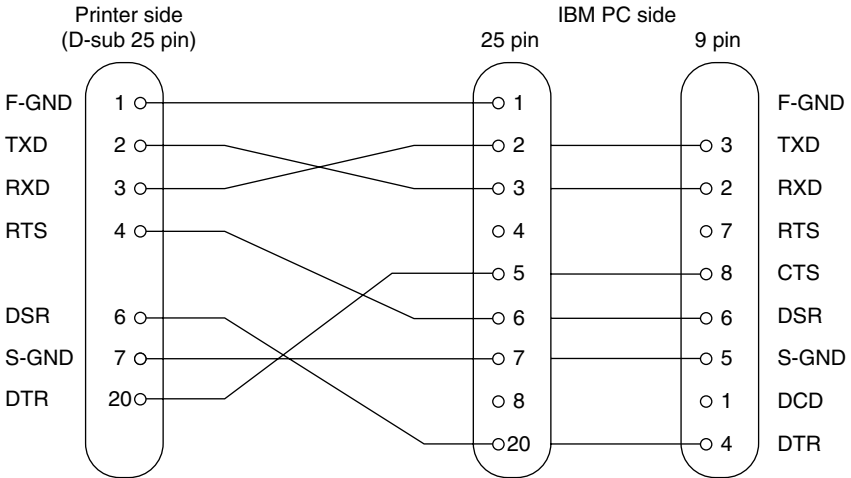
Pin No.	Signal Name	Direction	Function																				
1	FG	—	Frame ground																				
2	TXD	OUT	Transmission data																				
3	RXD	IN	Receive data																				
4	RTS	OUT	Always space																				
5	N.C.		Not connected																				
6	DSR	IN	<p>STAR Mode Status of this signal is not checked.</p> <p>ESC/POS Mode In DTR/DSR communication mode when Memory Switch 4-5 = 0, indicates whether data receive from host is enabled or disabled. Space: Receive enabled Mark: Receive disabled In DTR/DSR communication mode when Memory Switch 4-5 = 1, status of this signal is not checked. This signal is not checked in the X-ON/X-OFF communication mode.</p>																				
7	SG		Signal ground																				
8 -19	N.C.		Not connected																				
20	DTR	OUT	<p>Indicates whether data receive from host is enabled or disabled.</p> <p>DTR/DSR Communication Mode Space when receive is enabled.</p> <table border="1" style="width: 100%; border-collapse: collapse;"> <thead> <tr> <th rowspan="2">Printer status</th> <th colspan="2">Memory switch 6-9</th> </tr> <tr> <th>0</th> <th>1</th> </tr> </thead> <tbody> <tr> <td>1. During the period from when the power is turned on (including resetting using the interface) to when the printer is ready to receive data.</td> <td>BUSY</td> <td>BUSY</td> </tr> <tr> <td>2. During self printing and dot alignment adjustment.</td> <td>BUSY</td> <td>BUSY</td> </tr> <tr> <td>3. When the printer stops printing due to a paper end or a paper near end.</td> <td>BUSY</td> <td>—</td> </tr> <tr> <td>4. When an error has occurred.</td> <td>BUSY</td> <td>—</td> </tr> <tr> <td>5. When the receive buffer becomes full.</td> <td>BUSY</td> <td>BUSY</td> </tr> </tbody> </table>	Printer status	Memory switch 6-9		0	1	1. During the period from when the power is turned on (including resetting using the interface) to when the printer is ready to receive data.	BUSY	BUSY	2. During self printing and dot alignment adjustment.	BUSY	BUSY	3. When the printer stops printing due to a paper end or a paper near end.	BUSY	—	4. When an error has occurred.	BUSY	—	5. When the receive buffer becomes full.	BUSY	BUSY
Printer status	Memory switch 6-9																						
	0	1																					
1. During the period from when the power is turned on (including resetting using the interface) to when the printer is ready to receive data.	BUSY	BUSY																					
2. During self printing and dot alignment adjustment.	BUSY	BUSY																					
3. When the printer stops printing due to a paper end or a paper near end.	BUSY	—																					
4. When an error has occurred.	BUSY	—																					
5. When the receive buffer becomes full.	BUSY	BUSY																					

Pin No.	Signal Name	Direction	Function
20	DTR	OUT	X-On/X-Off Communication Mode Always space, except during following conditions: <ul style="list-style-type: none"> • Period between reset and communication enabled • During self printing and dot alignment adjustment
21 - 25	N.C.		Not connected



B-2. Interface Connections

Refer to the interface specifications of the host for details on connecting to its interface connector. The following illustration shows a typical connection configuration.



Appendix C: Parallel Interface

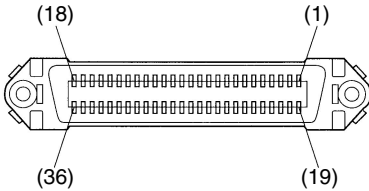
The two-way parallel interface is compatible with the IEEE1284 compatibility mode and nibble mode.

C-1. Table of Connection Signals for Each Mode

Pin No.	Direction	Compatibility Mode Signal Name	Nibble Mode Signal Name
1	In	nStrobe	HostClk
2	In	Data0	Data0
3	In	Data1	Data1
4	In	Data2	Data2
5	In	Data3	Data3
6	In	Data4	Data4
7	In	Data5	Data5
8	In	Data6	Data6
9	In	Data7	Data7
10	Out	nAck	PtrClk
11	Out	Busy	PtrBusy/Data3,7
12	Out	PError	AckDataReq/Data2,6
13	Out	Select	Xflag/Data1,5
14	In	nAutoFd	HostBusy
15		N/C	—
16		GND	GND
17		Flame GND	Flame GND
18	OUT	Logic High	Logic High
19		GND	GND
20		GND	GND
21		GND	GND
22		GND	GND
23		GND	GND
24		GND	GND
25		GND	GND
26		GND	GND
27		GND	GND
28		GND	GND
29		GND	GND
30		GND	GND

Pin No.	Direction	Compatibility Mode Signal Name	Nibble Mode Signal Name
31	In	nInit	nInit
32	Out	nFault	nDataAvail/Data0,4
33		EXT GND	—
34	Out	Compulsion Status	—
35	Out	Logic High	—
36	In	nSelectIn	1284Active

- Note:**
- The prefix “n” on the signal name refers to low active signals. If the host does not have any one of the signal lines listed above, two-way communication fails.
 - For interfacing, signal lines should always use twisted pair cables with the return sides connected to the signal ground level.
 - Cautions when resetting the printer using the nInit signal (#31 pin). Reset can be made from #31 pin (nInit signal) of the interface by memory switch setting. (Factory setting is reset.)
In addition, when reset has been enabled by #31 pin (nInit signal), it can be set to reset when the following conditions have been established: memory switch settings for 6-D and 6-E have been changed, #36 pin (nSelectIn/1284 active signal) is low, and #31 pin (nInit signal) is low.
For instructions on setting the memory switch, please refer to the separate Programmer’s Manual.
 - During factory output, IFEE 1284 printer device ID reply will be “Invalid.” To get the device ID, change memory switch 6-C to “Valid.” For instructions on setting the memory switch, please refer to the separate Programmer’s Manual.



This connector mates with an Amphenol 57-30360 connector

Parallel interface connector (printer side)

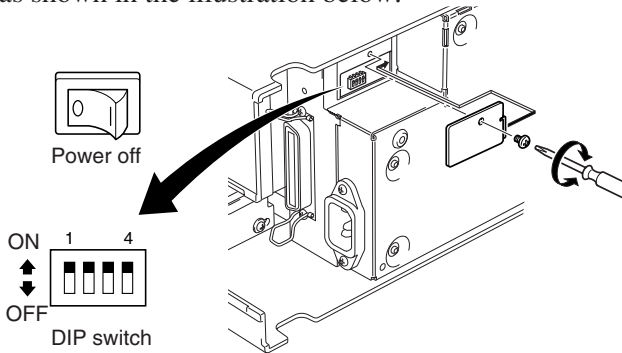
Appendix D: DIP Switch Setting

D-1. Parallel Interface

A DIP switch unit is provided at the bottom of the printer, and can be set as given in the table below. Be sure to set the power switch to off before changing the settings. It is recommended to use a pointed item like a pen or flat-blade driver screw to change the settings. The settings will become effective when the power switch is set to on again.

The following is the procedure for changing the settings on DIP switches.

1. Turn the printer off and unplug the power cord.
2. Remove the screw from the DIP switch cover. Then take off the DIP switch cover, as shown in the illustration below.



3. Set the switches using a pointed tool, such as a pen or flat-blade screwdriver.
4. Replace the DIP switch cover. Then secure it with the screw.
The new settings take effect when you turn on the printer.

■ DIP switch

Factory presetting: All on*1

SW No.	Function	ON	OFF
1	Always ON	Should be set on	
2	Auto Cutter	Invalid	Valid
3	Always ON	Should be set on	
4	Command emulation	Star	ESC/POS

*1 The factory settings for enabling/disabling the auto-cutter are as follows.

Models without auto-cutter: Invalid (Switch 2 = on)

Models with auto-cutter: Valid (Switch 2 = off)

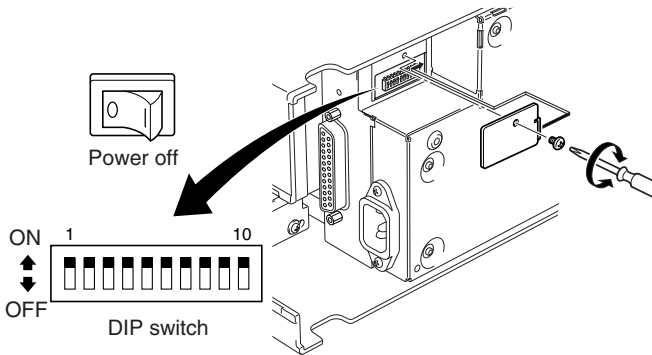
Note: If the auto-cutter is valid on models without this function, a mechanical error will occur. Do not enable.

D-2. Serial Interface

A DIP switch unit is provided at the bottom of the printer, and can be set as given in the table below. Be sure to set the power switch to off before changing the settings. It is recommended to use a pointed item like a pen or flat-blade driver screw to change the settings. The settings will become effective when the power switch is set to on again.

The following is the procedure for changing the settings on DIP switches.

1. Turn the printer off and unplug the power cord.
2. Remove the screw from the DIP switch cover. Then take off the DIP switch cover, as shown in the illustration below.



3. Set the switches using a pointed tool, such as a pen or flat-blade screwdriver.
4. Replace the DIP switch cover. Then secure it with the screw. The new settings take effect when you turn on the printer.

■ DIP switch

Factory presetting: All ON^{*1}

SW No.	Function	ON	OFF
1	Always ON	Should be set on	
2	Auto Cutter	Invalid	Valid
3	Always ON	Should be set on	
4	Command emulation	Star	ESC/POS
5	Baud Rate	See table below	
6			
7	Data Length	8 bits	7 bits
8	Parity Check	Disabled	Enabled
9	Parity	Odd	Even
10	Handshake	DTR/DSR	XON/XOFF

*1 The factory settings for enabling/disabling the auto-cutter are as follows.

Models without auto-cutter: Invalid (Switch 2 = on)

Models with auto-cutter: Valid (Switch 2 = off)

Note: If the auto-cutter is valid on models without this function, a mechanical error will occur. Do not enable.

Baud Rate	Switch 5	Switch 6
4800BPS	OFF	ON
9600BPS	ON	ON
19200BPS	ON	OFF
38400BPS	OFF	OFF

Appendix E: Memory Switch Settings

Each memory switch is a 16-bit word store in EEPROM. For details on the functions and settings of memory switches, see the separate Programmer's Manual.

The table below shows the factory settings for the memory switches.

Memory Switch	Hexadecimal Code
0	0000
1	0000
2	0000
3	0000
4	0000
5	0000
6	0000
7	0000

Warning!

Changing the memory switch settings can cause the printer to fail to operate correctly.

Appendix F: Peripheral Unit Driver Circuit

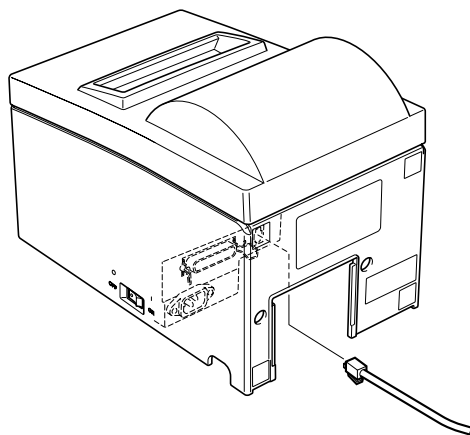
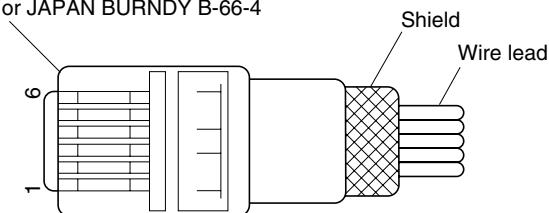
This printer is equipped with a circuit for driving peripheral units, such as cash drawers. A 6-pin modular connector for connection of the peripheral unit is located on the back of the printer. To connect to the drive circuit, connect the peripheral unit to the modular connector using a cable supplied by you like that one shown in the figure below.

Important!

Never connect any other type of plug to the peripheral unit connector.

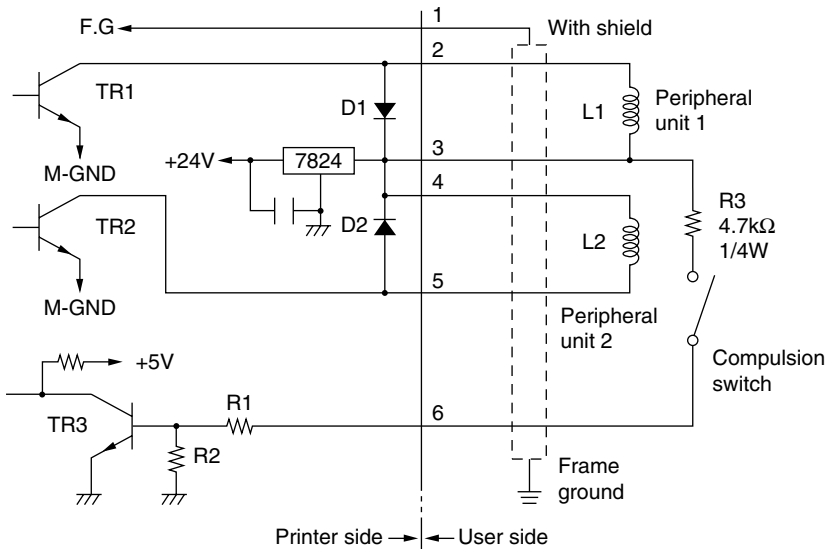
Modular plug

Modular plug: MOLEX 90075-0007,
AMP641337, or JAPAN BURNDY B-66-4



Drive circuit

The recommended drive unit is shown below.



Notes

- Peripheral Units 1 and 2 cannot be driven simultaneously.
- For continuous driving, do not use drive duty greater than 20%.
- The status of the compulsion switch can be known from the following.
 - Star mode : The status of the compulsion switch can be known by using the automatic status function or <ENQ> commands. In the case of ENQ status, bit 7 will be "1" when pin No. 6 of the peripheral unit drive circuit is high (switch on).
 - ESC/POS mode : The status of the compulsion switch can be known by using the automatic status function, <DLE><EOT>n, and <ESC>"u"n commands.
 - Parallel interface : The status of the compulsion switch can be known by pin No. 34 on the parallel interface connector. When the compulsion switch is on, pin No. 34 will be low. This can be checked by using the compatibility mode.
- Minimum resistance for coils L1 and L2 is 24Ω.
- Absolute maximum ratings for diodes D1 and D2 (Ta = 25°C) are:
 - Average Rectified Current Io = 1A
- Absolute maximum rating for transistors TR1 and TR2 (Ta = 25°C) are:
 - Collector current Ic = 2A
 - Collector loss Pc = 1.2W

Appendix G: Adjusting the Dot Alignment Mode

You may never have to use the procedure described in this section, but after you have been using your printer for some time you may find that the dots of some graphics do not align correctly. For example, what should look like:



may come out looking like one of the following:



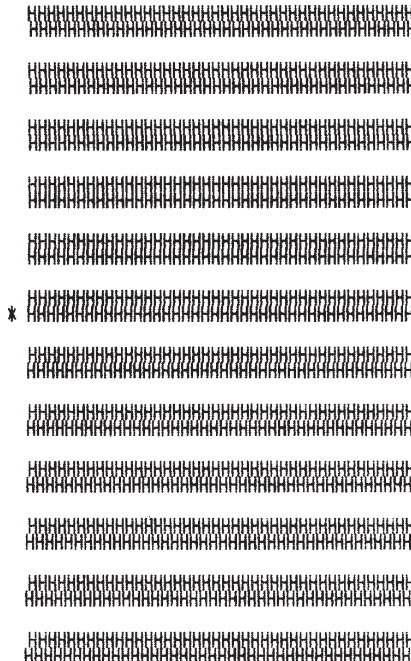
or like this



This is caused when mechanical parts of the printer get out of alignment. This happens only rarely and you may never experience it at all throughout the life of the printer. If you do have problems, use the following procedure to correct it.

- Enter the Dot Alignment Adjust Mode according to the procedure described in Section 6-4.
- After entering the Dot Alignment Adjust Mode, a printout of the adjustment patterns similar to the printout below will be printed. The asterisk indicates the current adjustment pattern.

Dot Alignment Adjust Mode



- To adjust, use the FEED switch to select the adjustment pattern from the printout with the smallest gap between the first printing pass and the return printing pass. Press the FEED switch once to specify the first adjustment pattern, twice to specify the second adjustment pattern, and so on up to seven times to specify the seventh adjustment pattern.

Press and hold the FEED switch the last time you press the switch.

(For example, if you want to select the fourth adjustment pattern, press the FEED switch three times. Then, press and hold the FEED switch until the long buzzer sounds.)

There are only seven adjustment patterns. The buzzer will sound each time the FEED switch is pressed. However, if you press the FEED switch more than seven times, a warning alert will sound.

After setting the adjustment pattern, a printout with the selected adjustment pattern highlighted and the message “Adjust Completed!” will be printed.

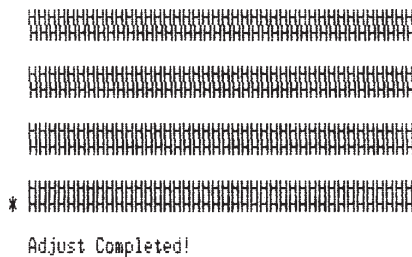


Fig. 6-3 Dot Alignment Adjustment Sample 2

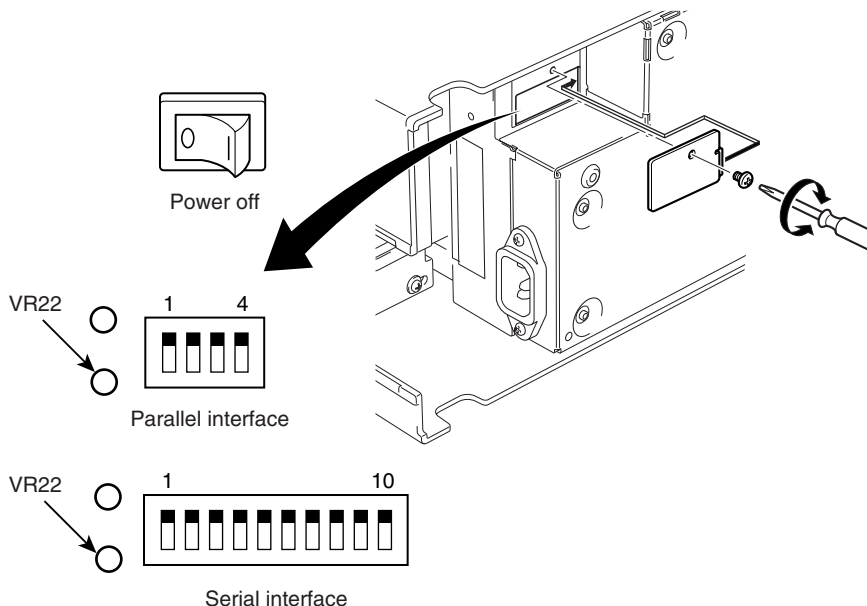
- After the printout is printed, the printer settings will be entered into the nonvolatile memory of the printer.

When the settings are entered into memory, the long buzzer sounds once more, and the dot alignment mode is complete.

Note: While the long buzzer is sounding, the printer settings are entered into the nonvolatile memory. Do not turn the power off. If the power is turned off while the printer settings are being entered into the nonvolatile memory, all of the memory switch settings will be reset.

Appendix H: Black Mark Sensor Alignment Mode

1. Turn the printer off and unplug the power cord.
2. Remove the screws. Then, remove the DIP switch cover on the bottom of the printer.



3. Since it is adjusted by rotating the volume VR22, check the position of the volume. Prepare a small slotted screwdriver that will fit in the hole.
4. Set the roll paper not for black mark.
5. Enter the black mark sensor adjustment mode according to the procedure described Section 6-4.
6. Rotate the volume VR22 using micro screwdriver, to adjust it to a position whereat both the ERROR (red LED) and the POWER (green LED) lamps light.
7. Turn the power OFF.

This completes the black mark sensor adjustment.



**ELECTRONIC PRODUCTS DIVISION
STAR MICRONICS CO., LTD.**

536 Nanatsushinnya, Shimizu, Shizuoka,
424-0066 Japan

Tel: 0543-47-0112, Fax: 0543-48-5013

Please access the following URL

http://www.star-micronics.co.jp/service/frame_sp_spr_e.htm
for the latest revision of the manual.

**OVERSEAS SUBSIDIARY COMPANIES
STAR MICRONICS AMERICA, INC.**

1150 King Georges Post Road, Edison,
NJ 08837-3729 U.S.A.

Tel: 732-623-5555, Fax: 732-623-5590
<http://www.starmicronics.com>

STAR MICRONICS U.K. LTD.

Star House, Peregrine Business Park, Gomm Road,
High Wycombe, Bucks, HP13 7DL, U.K.

Tel: 01494-471111, Fax: 01494-473333
<http://www.starmicronics.co.uk>